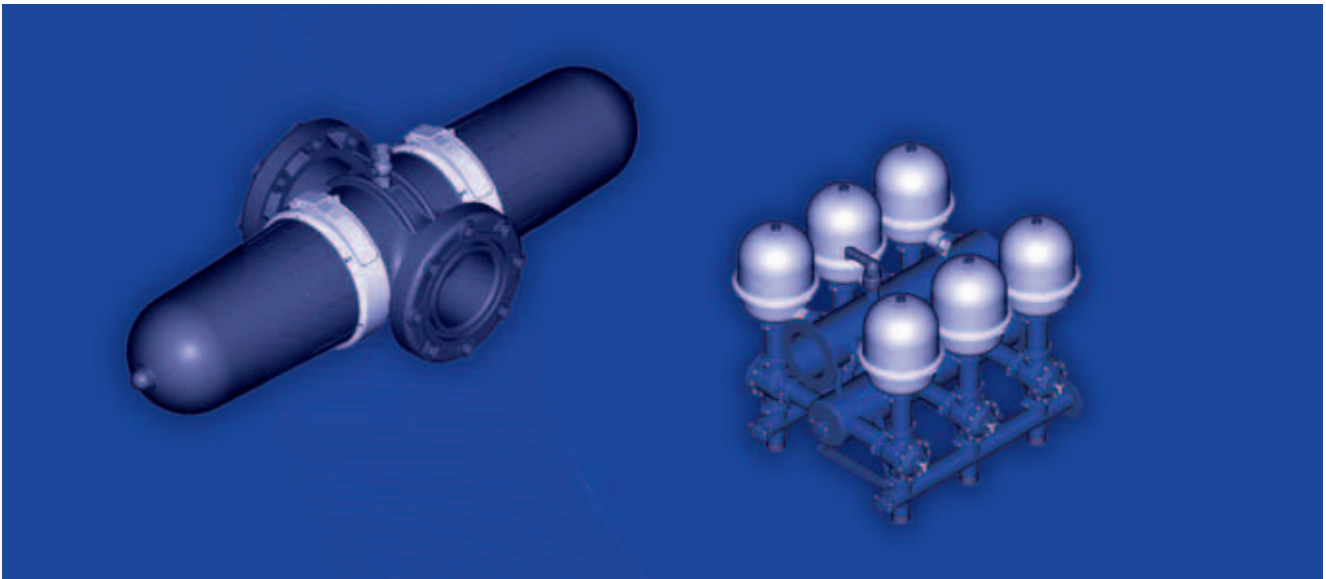


DISC FILTRATION TECHNOLOGY



- Micron-precise filtration of solids.
- The innovative depth filter design captures and retains large amounts of solids.
- Long-term operation.
- Minimal maintenance required.
- Disc filtration elements are factory assembled and ready for use.

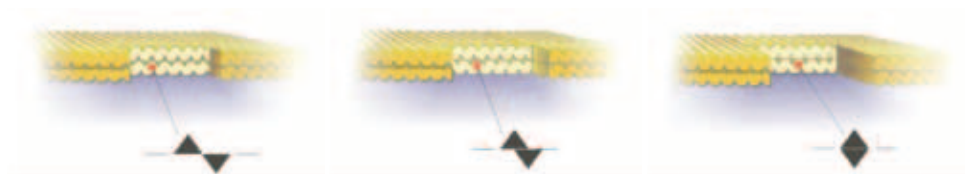
ARKAL'S FILTRATION SYSTEMS USE A SPECIALLY DESIGNED DISC FILTRATION TECHNOLOGY.

Color-coded Polypropylene or Nylon discs are grooved on both sides to a specific micron size. A series of these discs are then stacked and compressed on a specially designed spine. When stacked, the groove on top runs opposite to the groove below, creating a filtration element with a statistically significant series of intersecting grooves which trap the solids. The stack is enclosed in a corrosion and pressure resistant housing.

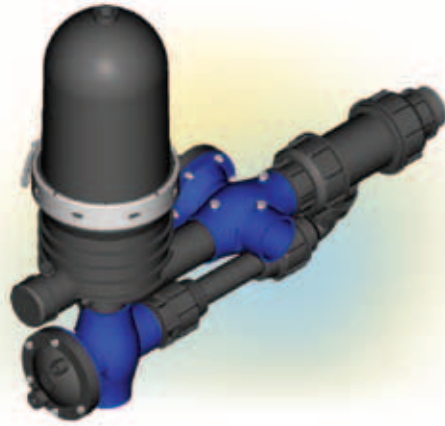
During filtration, the discs are tightly compressed together by a combination of the spring's power and the differential pressure, thus providing high filtration efficiency. Filtration occurs while water is percolating from the outer diameter to the inner diameter of the element. Depending on the micron rating (See table), there are from 18 (in 400 micron discs) to 32 (in 20 micron discs) stopping points in each track, thus creating the unique in-depth filtration (Figure below).

TABLE OF FILTRATION GRADES OF THE DISCS AND COLOR CODE

	Blue	Yellow	Red	Black	Brown	Green	Purple	Gray
Color Code	Blue	Yellow	Red	Black	Brown	Green	Purple	Gray
Micron	400	200	130	100	70	55	40	20
Mesh	40	80	120	140				
PP								
Nylon								



COMPACT FILTRATION UNIT



AUTOMATIC FILTERS

FEATURES

- Precise filtration with Spin Klin technology
- Automatic filtration for low flow rates
- Plastic parts - corrosion free
- Highly durable filter element
- Easy installation and operation
- Lightweight, compact design
- Simple and reliable operation

TECHNICAL DATA

	METRIC		US	
	Max. pressure	bar	10	psi
Min. filtration pressure	bar	2.8	psi	40.6
Filtration surface area	cm ²	880	in ²	136.4
Filtration volume	cm ³	1320	in ³	80.5
Backwash water volume	lit	33	gal	8.7
Min. Backwash flow rate	m ³ /h	10	gpm	44

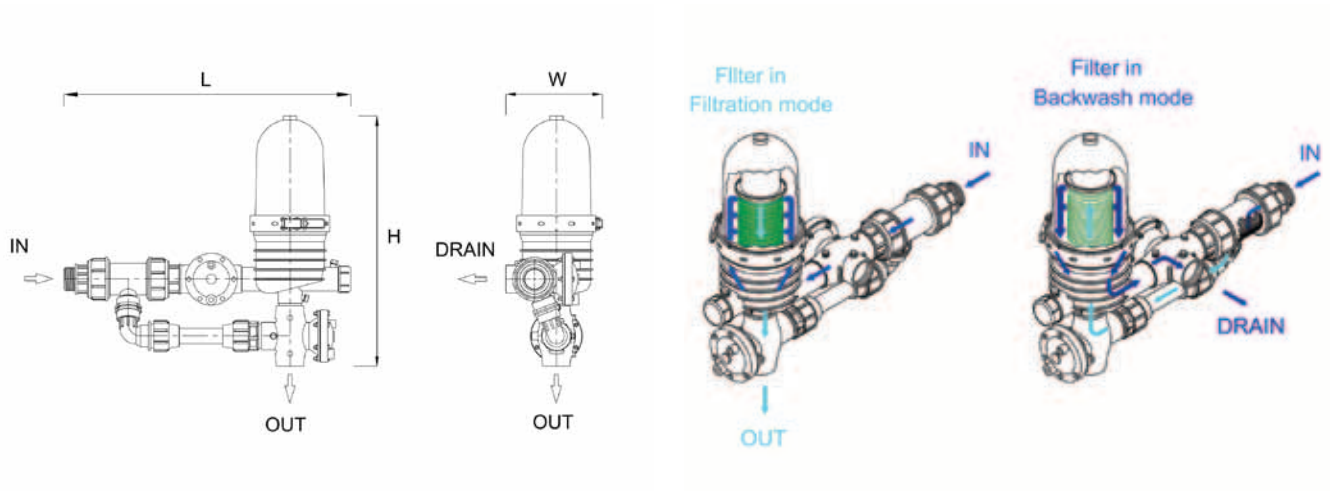
MAXIMUM FILTRATION FLOW RATE / WATER QUALITY

FILTRATION GRADE	WATER QUALITY	M ³ /H	GPM
400-100 μ	Good	20	88
	Average	15	66
	Poor	10	44
	Very Poor	8*	35*
70-55 μ	Good	10	44
	Average	8*	35*
	Poor	6*	26*
	Very Poor	4*	18*
40-20 μ	Good	5*	22*
	Average	4*	18*
	Poor	3*	13*
	Very Poor	2*	9*

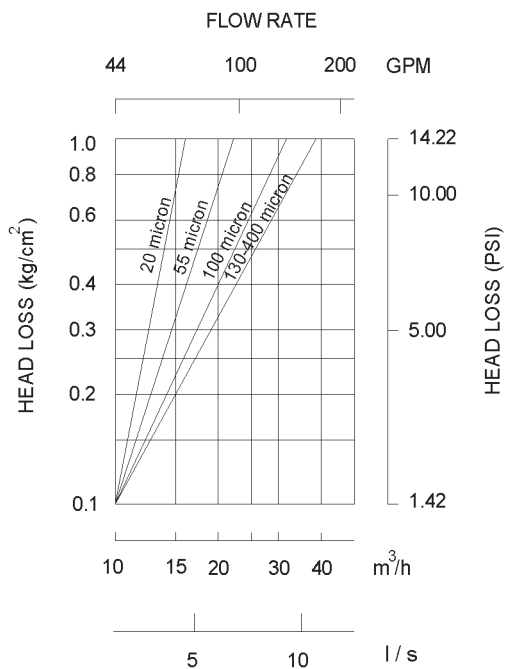
*External source or Air aided backwash is necessary

DIMENSIONS AND WEIGHTS

D Inlet\Outlet diameter	mm	50	inch	2
L Length	mm	694	inch	27.3
H Height	mm	628	inch	24.7
W Width	mm	243	inch	9.6
Shipping weight (approx.)	kg	28.6	lbs	63



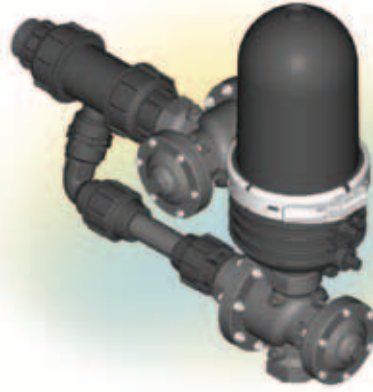
HEAD LOSS CHART, CLEAN STATE



COMPACT filtration units are available with:
Brass or polymer valves.

2" COMPACT ALL PLASTIC

FILTRATION UNIT



AUTOMATIC FILTERS

FEATURES

- Precise filtration with Spin Klin technology
- Automatic filtration for low flow rates
- Plastic parts - corrosion free
- Highly durable filter element
- Easy installation and operation
- Lightweight, compact design
- Simple and reliable operation

TECHNICAL DATA

	METRIC		US	
Max. pressure	bar	10	psi	145
Min. filtration pressure	bar	2.8	psi	40.6
Filtration surface area	cm ²	880	in ²	136.4
Filtration volume	cm ³	1,320	in ³	80.5
Backwash water volume	lit	33	gal	8.7
Min. Backwash flow rate	m ³ /h	10	gpm	44

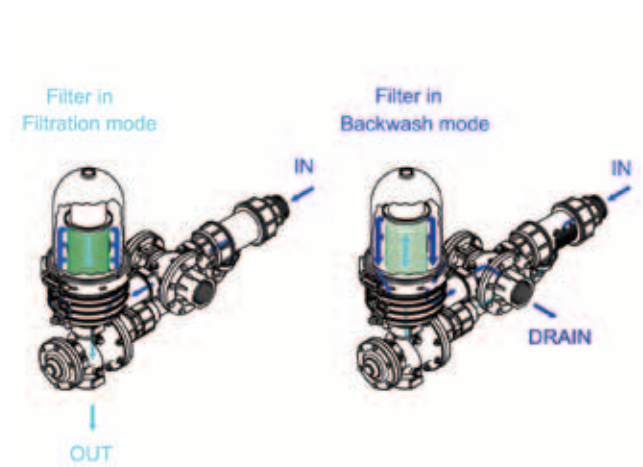
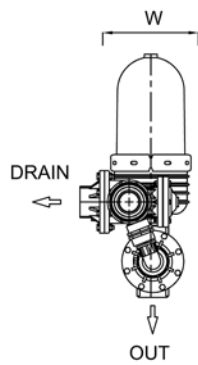
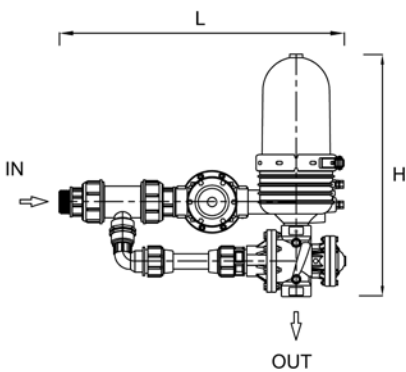
MAXIMUM FILTRATION FLOW RATE / WATER QUALITY

FILTRATION GRADE	WATER QUALITY	M ³ /H	GPM
400-100 μ	Good	20	88
	Average	15	66
	Poor	10	44
	Very Poor	8 *	35*
70-55 μ	Good	10	44
	Average	8*	35*
	Poor	6*	26*
	Very Poor	4*	18*
40-20 μ	Good	5*	22*
	Average	4*	18*
	Poor	3*	13*
	Very Poor	2*	9*

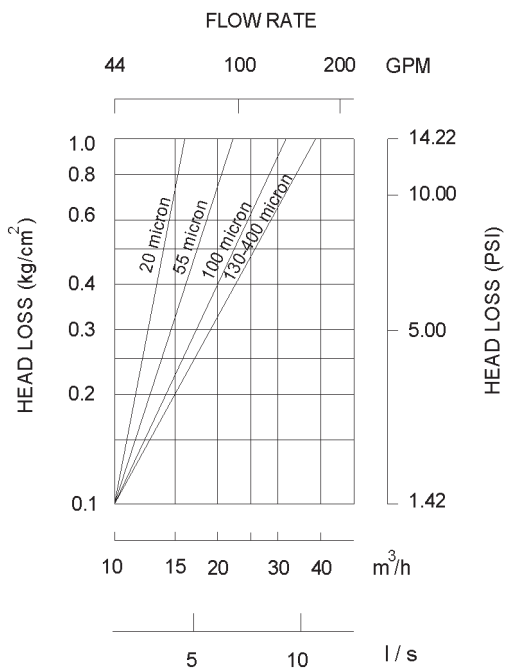
*External source or Air aided backwash is necessary

DIMENSIONS AND WEIGHTS

D Inlet\Outlet diameter	mm	50	inch	2
L Length	mm	751	inch	29 5/8
H Height	mm	655	inch	25 7/8
W Width	mm	243	inch	9 5/8
Shipping weight (approx.)	kg	28.6	lbs	63



HEAD LOSS CHART, CLEAN STATE



All Plastic 2" Compact filtration units are available with:
Non Corrosive material valves

OPAL

FILTRATION BATTERIES



AUTOMATIC FILTERS

FEATURES

- Precise filtration with Spin Klin technology
- Automatic filtration for low flow rates
- Plastic parts - corrosion free
- Highly durable filter element
- Easy installation and operation
- Lightweight, compact design
- Simple and reliable operation

TECHNICAL DATA

	METRIC			US	
Max. pressure	bar	10	psi	145	
Min. filtration pressure	bar	2.8	psi	40.6	
Filtration surface area	cm ²	880	in ²	136.4	
Filtration volume per unit	cm ³	1320	in ³	80.5	
Backwash water volume per unit	lit	33	gal	8.7	

MAXIMUM FILTRATION FLOW RATE / WATER QUALITY

NO. OF UNITS		2	3	4	5	6	2	3	4	5	6
FILTRATION GRADE	WATER QUALITY	M ³ /H					GPM				
400-130 μ	Good	50**	75	100	125	150	220**	330	440	550	660
	Average	38**	57	76	95	115	167**	250	334	418	506
	Poor	27**	41	54	67	84	119**	180	238	294	370
	Very Poor	16**	25	33	41	49	70**	110	145	180	215
100 μ	Good	40**	60	80	100	120	176**	264	352	440	528
	Average	30**	45	60	75	90	132**	192	264	330	396
	Poor	20**	30	40	50	60	88**	132	176	220	264
	Very Poor	13**	20	26	33	40	57**	88	114	145	176
55 μ	Good	28**	42	56	70	84	123**	184	246	308	364
	Average	22**	33	44	55	66	97**	145	193	242	290
	Poor	15**	23	30	38	45	66**	101	132	167	198
	Very Poor	9*	14*	18*	24	33	39*	61*	79*	105	145
20 μ	Good	14*	21	28	35	42	61*	92	123	154	184
	Average	10*	16**	21	26	32	44*	70**	92	114	140
	Poor	7*	11**	14**	18**	21	30*	48**	61**	79**	92
	Very Poor	5*	7*	9*	11**	13**	22*	30*	39*	48**	57**

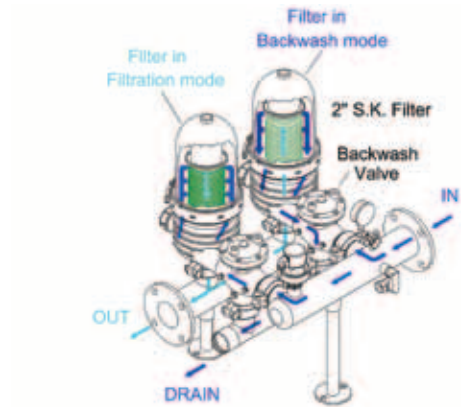
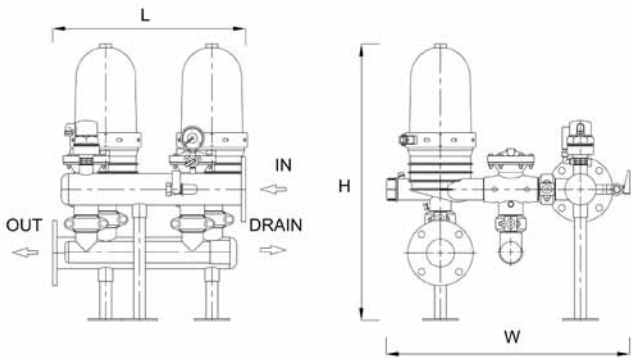
*External source for backwash is necessary

**When pressure is low, it is necessary to close downstream valve during backwash

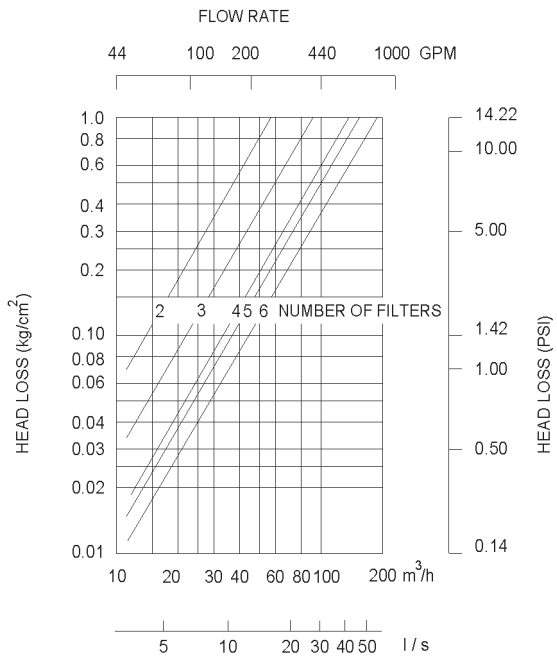
DIMENSIONS AND WEIGHTS

NO. OF UNITS		2	3	4	5	6		2	3	4	5	6
D Inlet\Outlet diameter	mm	90	90	110	110	160	inch	3	3	4	4	6
L Length	mm	545	800	1145	1445	1745	inch	21	32	45	57	69
H Height	mm	788	788	817	817	844	inch	31	31	32	32	33
W Width	mm	643	643	674	674	731	inch	25	25	27	27	29
Shipping weight (approx.)	kg	80	100	120	140	160	lbs	176	220	264	308	352

NOTE: Above dimensions are for standard models only: Polyester coated steel flanged inlet\outlet and drainage manifolds.



HEAD LOSS CHART, CLEAN STATE



OPAL filtration batteries are available with:
Polyester coated steel, Stainless steel or
Polypropelene manifolds.

2" POLY BATTERY

FILTRATION BATTERIES



AUTOMATIC FILTERS

FEATURES

- Precise filtration with Spin Klin technology
- Automatic filtration for low flow rates
- Plastic parts - corrosion free
- Highly durable filter element
- Easy installation and operation
- Lightweight, compact design
- Simple and reliable operation

TECHNICAL DATA

	METRIC			US	
Max. pressure	bar	10		psi	145
Min. filtration pressure	bar	2.8		psi	40.6
Filtration surface area	cm ²	880		in ²	136.4
Filtration volume	cm ³	1,320		in ³	80.5
Backwash water volume	lit	33		gal	8.7

MAXIMUM FILTRATION FLOW RATE / WATER QUALITY

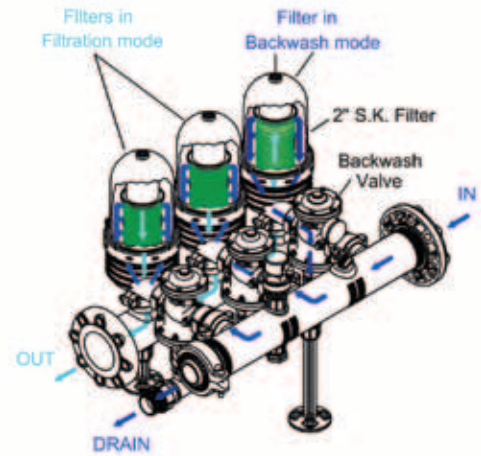
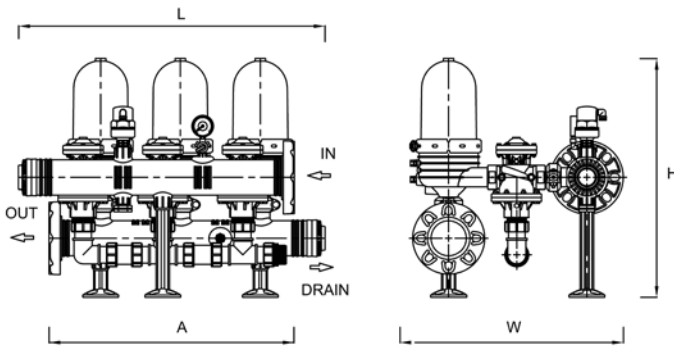
NO. OF UNITS		2	3	4	5	6	2	3	4	5	6
FILTRATION GRADE	WATER QUALITY	M3/H					GPM				
400-130 μ	Good	50**	75	100	125	150	220**	330	440	550	660
	Average	38**	57	76	95	115	167**	250	334	418	506
	Poor	27**	41	54	67	84	119**	180	238	294	370
	Very Poor	16**	25	33	41	49	70**	110	145	180	215
100-70 μ	Good	40**	60	80	100	120	176**	264	352	440	528
	Average	30**	45	60	75	90	132**	192	264	330	396
	Poor	20**	30	40	50	60	88**	132	176	220	264
	Very Poor	13**	20	26	33	40	57**	88	114	145	176
55-40 μ	Good	28**	42	56	70	84	123**	184	246	308	364
	Average	22**	33	44	55	66	97**	145	193	242	290
	Poor	15**	23	30	38	45	66**	101	132	167	198
	Very Poor	9*	14*	18*	24	33	39*	61*	79*	105	145
20 μ	Good	14*	21	28	35	42	61*	92	123	154	184
	Average	10*	16**	21	26	32	44*	70**	92	114	140
	Poor	7*	11**	14**	18**	21	30*	48**	61**	79**	92
	Very Poor	5*	7*	9*	11**	13**	22*	30*	39*	48**	57**

*External source for backwash is necessary

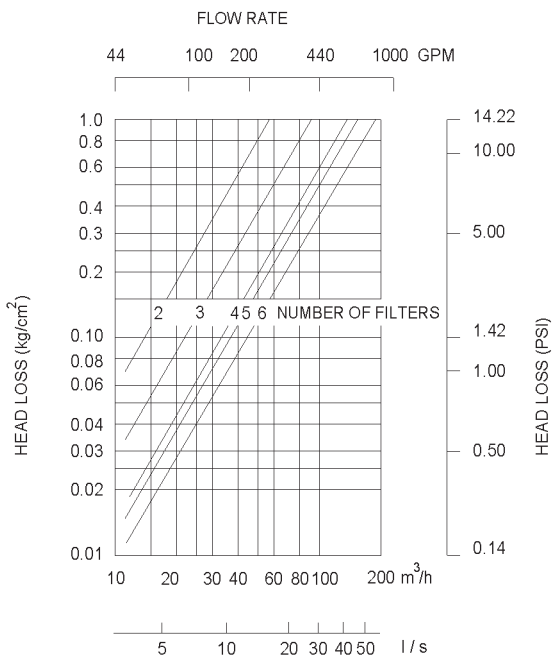
**When pressure is low, it is necessary to close downstream valve during backwash

DIMENSIONS AND WEIGHTS

		2	3	4	5	6		2	3	4	5	6
D Inlet/Outlet diameter	mm	110	110	110	110	160	inch	4	4	4	4	6
L Length	mm	710	960	1210	1460	1915	inch	28	37 1/4	47 5/8	57 1/2	75 1/2
H Height	mm	750	750	750	750	835	inch	29 5/8	29 5/8	29 5/8	29 5/8	32 7/8
W Width	mm	670	670	670	670	752	inch	26 3/8	26 3/8	26 3/8	26 3/8	29 5/8
A Flange to flange distance	mm	515	765	1015	1265	1915	inch	20 5/8	30 1/8	40	49 7/8	75 1/2
Shipping weight (approx.)	kg	30	50	70	90	140	lbs	66	110	154	198	308



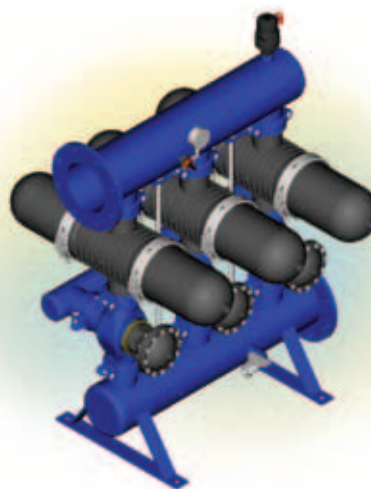
HEAD LOSS CHART, CLEAN STATE



2" Poly batteries are available with:
Non Corrosive material valves

CRYSTAL

FILTRATION BATTERIES



AUTOMATIC FILTERS

FEATURES

- Precise filtration with Spin Klin technology
- Automatic filtration for medium flow rates
- Continuous flow during backwash
- Plastic parts - corrosion free
- Highly durable filter element
- Easy installation and operation
- Lightweight, compact design
- Simple and reliable operation

TECHNICAL DATA

	METRIC		US	
Max. pressure	bar	10	psi	145
Min. backwash pressure	bar	2.8	psi	40.6
Filtration surface area per unit	cm ²	1760	in ²	272.8
Filtration volume per unit	cm ³	2640	in ³	161
Backwash water volume per unit	lit	66	gal	17.4

MAXIMUM FILTRATION FLOW RATE / WATER QUALITY

NO. OF UNITS		3	4	5	6	7	8	3	4	5	6	7	8
FILTRATION GRADE	WATER QUALITY	M ³ /H						GPM					
400-130 μ	Good	110	148	185	222	259	296	484	652	814	977	1140	1302
	Average	90	120	150	180	210	240	396	528	660	792	924	1056
	Poor	66	88	110	132	154	176	290	387	484	581	678	774
	Very Poor	45*	60	75	90	105	120	198*	264	330	396	462	528
100-70 μ	Good	90	120	150	180	210	240	396	528	660	792	924	1056
	Average	66	88	110	132	154	176	290	387	484	581	678	774
	Poor	48*	64	80	96	112	128	211*	282	352	422	493	563
	Very Poor	33*	44*	55	66	77	88	145*	194*	242	290	339	387
55-40 μ	Good	60	80	100	120	140	160	264	352	440	528	616	704
	Average	48*	64	80	96	112	128	211*	282	352	422	493	563
	Poor	36*	48*	60	72	84	96	158*	211*	264	317	370	422
	Very Poor	27***	36**	45*	54	63	72	119***	158**	198*	238	277	317
20 μ	Good	30***	40**	50	60	70	80	132***	176**	220	264	308	352
	Average	24***	32***	40**	48*	56	64	106***	141***	176**	211*	246	282
	Poor	18***	24***	30***	36***	42*	48*	79***	106***	132***	158***	185*	211*
	Very Poor	12***	16***	20***	24***	28***	32***	53***	70***	88***	106***	123***	141***

*External source for backwash is necessary

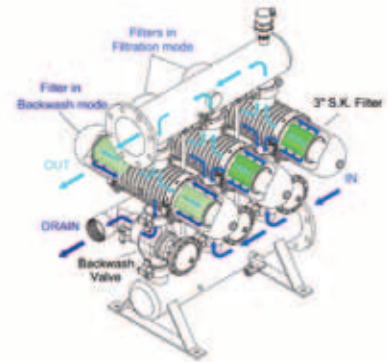
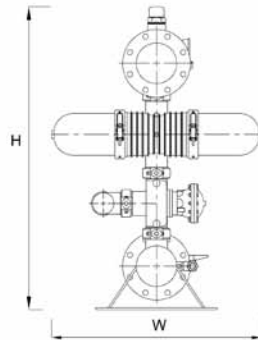
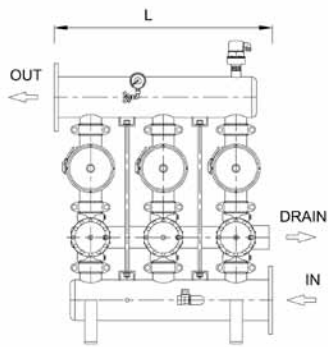
**When pressure is low, it is necessary to close downstream valve during backwash

***The 2" Spin Klin Battery is recommended

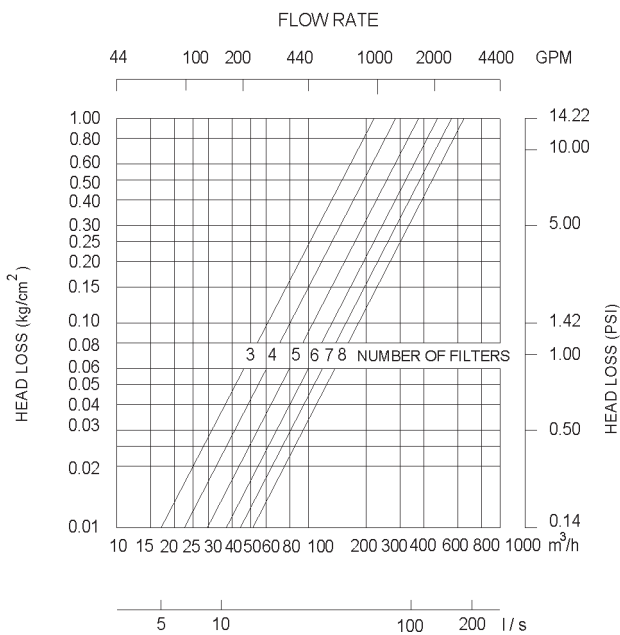
DIMENSIONS AND WEIGHTS

NO. OF UNITS		3	4	5	6	7	8		3	4	5	6	7	8
D Inlet/Outlet diameter	mm	90	110	160	160	225	225	inch	3	4	6	6	8	8
L Length	mm	900	1200	1500	1800	2100	2400	inch	35	47	59	71	83	94
H Height	mm	1220	1220	1220	1220	1488	1488	inch	48	48	48	47	59	59
W Width	mm	900	900	900	900	900	900	inch	35	35	35	35	35	35
Shipping weight (approx.)	kg	150	170	190	210	260	300	lbs	331	375	419	463	573	661

NOTE: Above dimensions are for standard models only: Polyester coated steel flanged inlet/outlet and drainage manifolds.



HEAD LOSS CHART, CLEAN STATE



CRYSTAL filtration batteries are available with:
Polyester coated steel, Stainless steel or
Polypropylene manifolds.

3" POLY BATTERY

FILTRATION BATTERIES



AUTOMATIC FILTERS

FEATURES

- Precise filtration with Spin Klin technology
- Automatic filtration for medium flow rates
- Continuous flow during backwash
- Plastic parts - corrosion free
- Highly durable filter element
- Easy installation and operation
- Lightweight, compact design
- Simple and reliable operation

TECHNICAL DATA

	METRIC		US	
Max. pressure	bar	10	psi	145
Min. backwash pressure	bar	2.8	psi	40.6
Filtration surface area per unit	cm ²	1,760	in ²	272.8
Filtration volume per unit	cm ³	2,640	in ³	161
Backwash water volume per unit	lit	66	gal	17.4

MAXIMUM FILTRATION FLOW RATE / WATER QUALITY

NO. OF UNITS		3	4	5	6	7	8	3	4	5	6	7	8
FILTRATION GRADE	WATER QUALITY	M ³ /H						GPM					
400-130 μ	Good	110	148	185	222	259	296	484	652	814	977	1140	1302
	Average	90	120	150	180	210	240	396	528	660	792	924	1056
	Poor	66	88	110	132	154	176	290	387	484	581	678	774
	Very Poor	45*	60	75	90	105	120	198*	264	330	396	462	528
100-70 μ	Good	90	120	150	180	210	240	396	528	660	792	924	1056
	Average	66	88	110	132	154	176	290	387	484	581	678	774
	Poor	48*	64	80	96	112	128	211*	282	352	422	493	563
	Very Poor	33*	44*	55	66	77	88	145*	194*	242	290	339	387
55-40 μ	Good	60	80	100	120	140	160	264	352	440	528	616	704
	Average	48*	64	80	96	112	128	211*	282	352	422	493	563
	Poor	36*	48*	60	72	84	96	158*	211*	264	317	370	422
	Very Poor	27***	36**	45*	54	63	72	119***	158**	198*	238	277	317
20 μ	Good	30***	40**	50	60	70	80	132***	176**	220	264	308	352
	Average	24***	32***	40**	48*	56	64	106***	141***	176**	211*	246	282
	Poor	18***	24***	30***	36***	42*	48*	79***	106***	132***	158***	185*	211*
	Very Poor	12***	16***	20***	24***	28***	32***	53***	70***	88***	106***	123***	141***

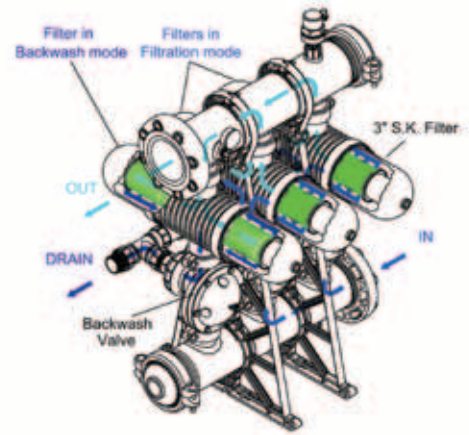
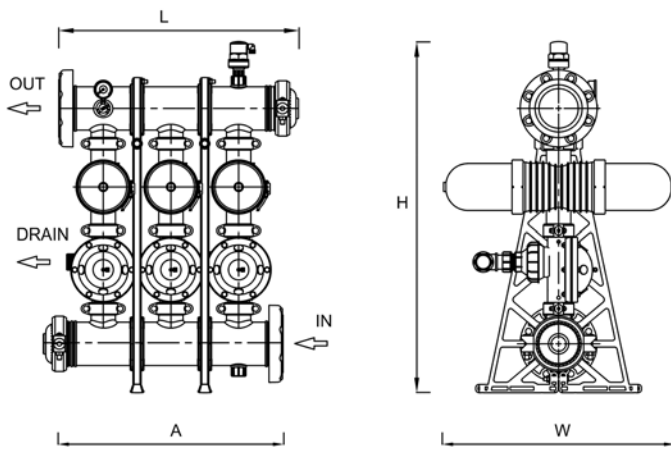
*External source for backwash is necessary

**When pressure is low, it is necessary to close downstream valve during backwash

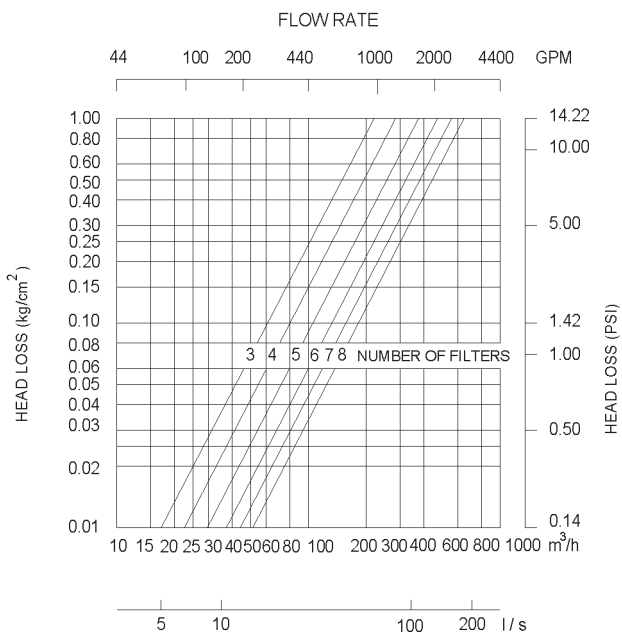
***The 2" Spin Klin Battery is recommended

DIMENSIONS AND WEIGHTS

		3	4	5	6	7	8		3	4	5	6	7	8
D Inlet/Outlet diameter	mm	160	160	160	160	200	200	inch	6	6	6	6	8	8
L Length	mm	902	1152	1402	1652	2200	2500	inch	35 1/2	45 11/32	55 3/16	65 1/32	86 5/8	98 7/16
H Height	mm	1291	1291	1291	1291	1510	1510	inch	50 13/16	50 13/16	50 13/16	50 13/16	59 7/16	59 7/16
W Width	mm	865	865	865	865	865	865	inch	34 1/16	34 1/16	34 1/16	34 1/16	34 1/16	34 1/16
A Flange to flange distance	mm	820	1070	1320	1570	2200	2500	inch	32 9/32	42 1/8	51 31/32	61 13/16	86 5/8	98 7/16
Shipping weight (approx.)	kg	120	150	180	210	250	290	lbs	264	330	396	492	550	638



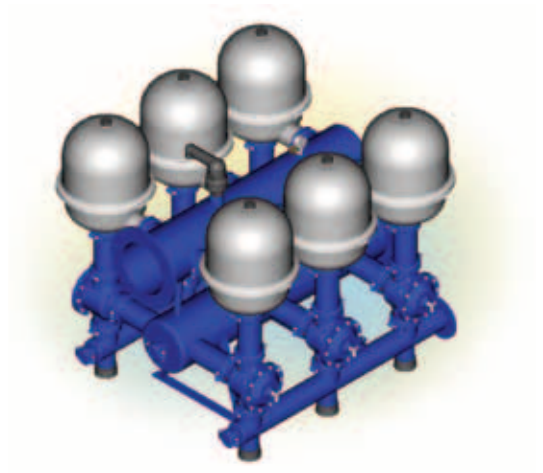
HEAD LOSS CHART, CLEAN STATE



3" Spin Klin Poly batteries are available with:
Non Corrosive material valves

GALAXY

FILTRATION BATTERIES



AUTOMATIC FILTERS

FEATURES

- Precise filtration with Spin Klin technology
- Automatic filtration for high flow rates
- Continuous flow during backwash
- Plastic parts - corrosion free
- Highly durable filter element
- Lightweight, compact design
- Simple and reliable operation

TECHNICAL DATA

	METRIC		US	
Max. pressure	bar	10	psi	145
Min. backwash pressure	bar	2.8	psi	40.6
Filtration surface area per unit	cm ²	4,400	in ²	680
Filtration volume per unit	cm ³	6,600	in ³	410
Backwash water volume per unit	lit	165	gal	44

MAXIMUM FILTRATION FLOW RATE / WATER QUALITY

Higher flow rates available with additional unit design

*External source for backwash is necessary

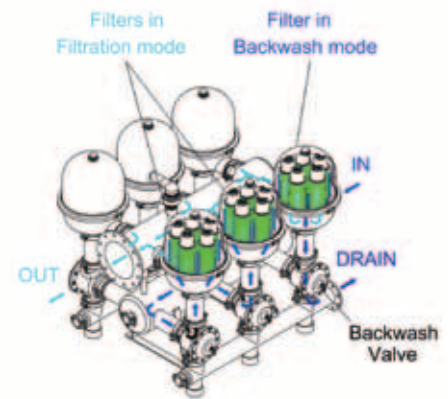
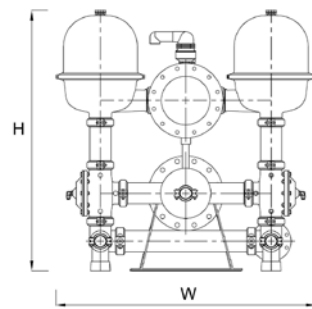
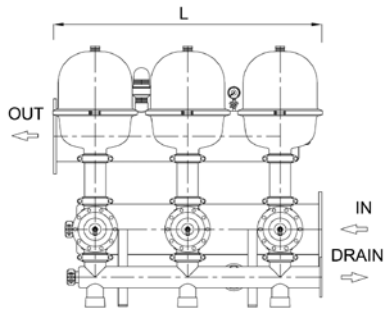
**When pressure is low, it is necessary to close downstream valve during backwash

***The 3" Spin Klin Battery is recommended

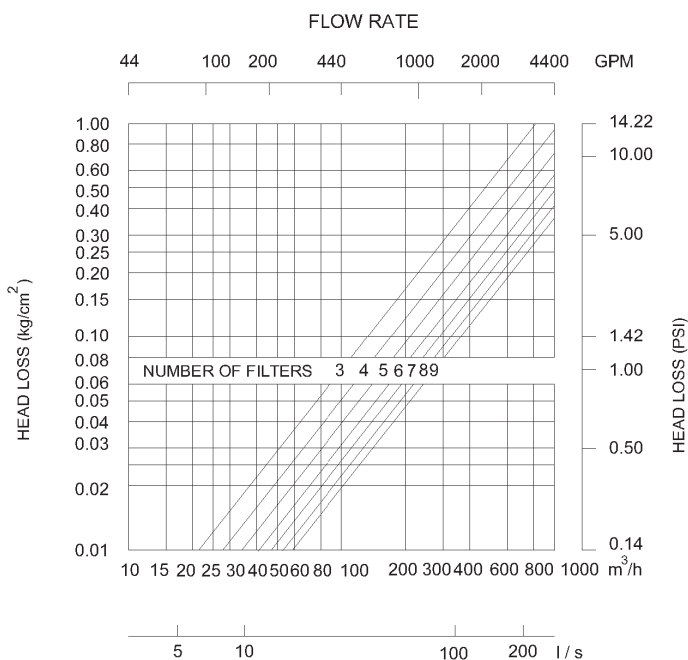
DIMENSIONS AND WEIGHTS

NO. OF UNITS		3	4	5	6	7	8		3	4	5	6	7	8
D Inlet\Outlet diameter	mm	225	280	280	315	315	355	inch	8	10	10	12	12	14
L Length	mm	1450	1950	2450	1450	1950	1950	inch	57	77	96	57	77	77
H Height	mm	1405	1405	1405	1405	1405	1405	inch	55	55	55	55	55	55
W Width	mm	830	900	970	1450	1450	1510	inch	33	35	38	57	57	59
Shipping weight (approx.)	kg	290	370	485	610	720	912	lbs	638	814	1067	1342	1584	2006

NOTE: Above dimensions are for standard models only: Polyester coated steel flanged inlet\outlet and drainage manifolds.



HEAD LOSS CHART, CLEAN STATE



GALAXY filtration batteries are available with:
 Polyester coated steel, Stainless steel or Polypropylene manifolds.
 Stainless steel 316, Polyester coated steel or Polymer pods.

GALAXY POLYMER

FILTRATION BATTERIES



AUTOMATIC FILTERS

FEATURES

- Precise filtration with Spin Klin technology
- Automatic filtration for high flow rates
- Continuous flow during backwash
- Plastic parts - corrosion free
- Highly durable filter element
- Lightweight, compact design
- Simple and reliable operation

TECHNICAL DATA

		METRIC		US	
Max. pressure	bar	10	psi	145	
Min. backwash pressure	bar	2.8	psi	40.6	
Filtration surface area per unit	cm ²	4.400	in ²	680	
Filtration volume per unit	cm ³	6.600	in ³	410	
Backwash water volume per unit	lit	165	gal	44	

MAXIMUM FILTRATION FLOW RATE / WATER QUALITY

NO. OF UNITS		3	4	5	6	7	8	3	4	5	6	7	8
FILTRATION GRADE	WATER QUALITY	M ³ /H						GPM					
400-130 μ	Good	300	400	500	600	700	800	1320	1760	2200	2640	3080	3520
	Average	225	300	375	450	525	600	990	1320	1650	1980	2310	2640
	Poor	150	200	250	300	350	400	660	880	1100	1320	1540	1760
	Very Poor	100*	130	160	200	230	260	435*	580	725	870	1015	1160
100-70 μ	Good	270	360	450	540	630	720	1190	1585	1980	2375	2770	3165
	Average	205	270	340	410	480	550	900	1200	1500	1800	2100	2400
	Poor	135*	180	225	270	315	360	600*	800	1000	1200	1400	1600
	Very Poor	90**	120	150	180	210	240	400**	530	660	790	920	1050
55-40 μ	Good	170	225	280	335	390	445	750	990	1235	1480	1725	1970
	Average	125*	165	210	255	300	345	555*	740	925	1110	1295	1480
	Poor	85**	110*	140	170	200	230	370**	490*	615	740	865	990
	Very Poor	60**	80**	100*	120*	140	160	260**	340**	430*	520*	610	700
20 μ	Good	N/A***	N/A***	140	170	200	230	N/A***	N/A***	630	745	870	995
	Average	N/A***	N/A***	105*	125*	150	175	N/A***	N/A***	475*	565*	660	755
	Poor	N/A***	N/A***	70**	85**	100*	115*	N/A***	N/A***	310**	370**	435*	500*
	Very Poor	N/A***	N/A***	50**	60**	70**	80**	N/A***	N/A***	220**	260**	315*	350*

Higher flow rates available with additional unit design

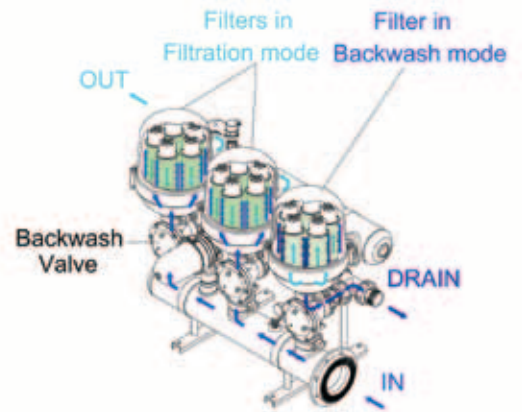
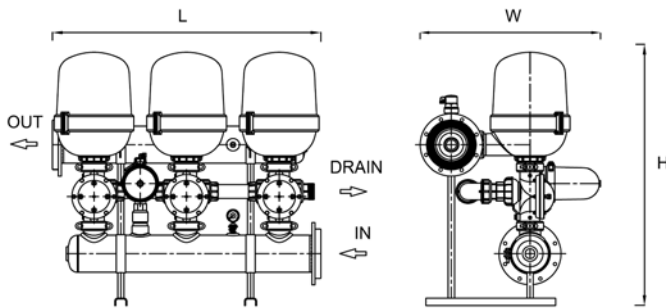
*External source for backwash is necessary

**When pressure is low, it is necessary to close downstream valve during backwash

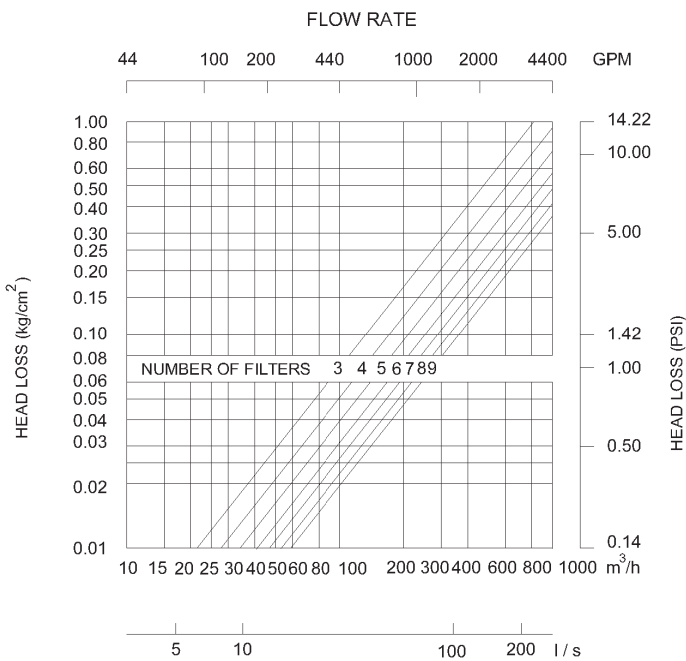
***The 3" Spin Klin Battery is recommended

DIMENSIONS AND WEIGHTS

		3	4	5	6	7	8		3	4	5	6	7	8
D Inlet\Outlet diameter	mm	225	280	280	315	315	355	inch	8	10	10	12	12	14
L Length	mm	1450	1950	2450	1450	1950	1950	inch	57	77	96	57	77	77
H Height	mm	1405	1405	1405	1405	1405	1405	inch	55	55	55	55	55	55
W Width	mm	830	900	970	1450	1450	1510	inch	33	35	38	57	57	59
Shipping weight (approx.)	kg	290	370	485	610	720	912	lbs	638	814	1067	1342	1584	2006



HEAD LOSS CHART, CLEAN STATE



GALAXY Polymer batteries are available with:
Non Corrosive material valves

3/4" FILTER

MANUAL DISC FILTER



MANUAL FILTERS

FEATURES

- Durable filter element
- Corrosion free
- All Plastic
- Precise disc filtration

TECHNICAL DATA

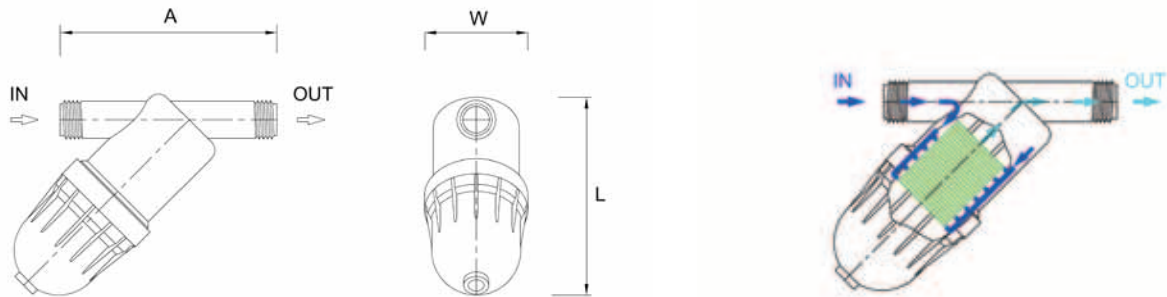
	METRIC		US	
Connection diameter	mm	20	in	3/4
Filtration surface area	cm ²	160	in ²	24.8
Filtration volume	cm ³	95	in ³	5.8
Pressure rating	bar	10	psi	145
Max. temp.	°C	60	°F	140

MAXIMUM FILTRATION FLOW RATE / WATER QUALITY

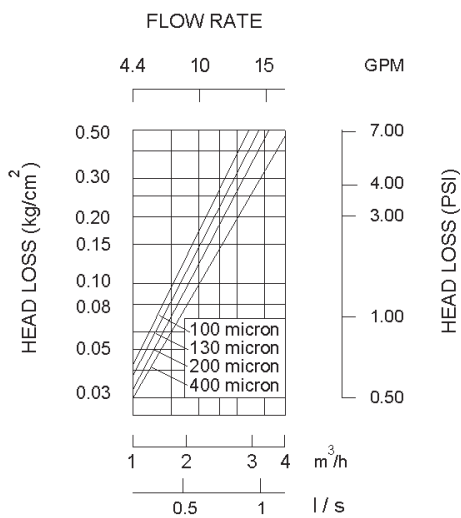
FILTRATION GRADE	WATER QUALITY	M ³ /H	GPM
400-130 μ	Good	4	17.6
	Average	3	13.5

DIMENSIONS AND WEIGHTS

D Inlet/Outlet diameter	mm	20	inch	3/4
L Length	mm	144	inch	5 11/16
W Width	mm	74	inch	2 29/32
A	mm	150	inch	5 29/32
Shipping weight (approx.)	kg	0.37	lbs	0.8



HEAD LOSS CHART, CLEAN STATE



3/4" Filter is available in: Polyester

3/4" FILTAP

MANUAL DISC FILTER



MANUAL FILTERS

FEATURES

- Precise disc filtration
- Durable filter element
- All plastic-corrosion free
- Built in, integral tap

TECHNICAL DATA

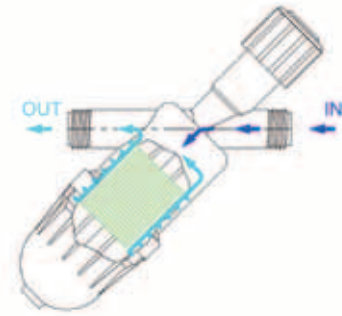
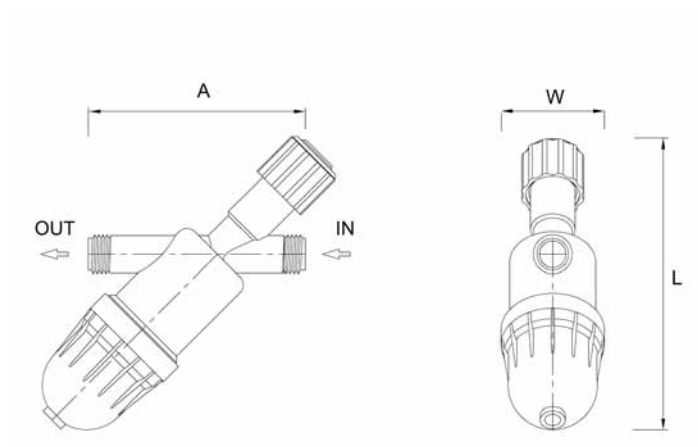
	METRIC		US	
Connection diameter	mm	20	in	3/4
Filtration surface area	cm ²	160	in ²	24 13/16
Filtration volume	cm ³	95	in ³	5 13/16
Pressure rating	bar	10	psi	145
Max. temp.	0C	60	0F	140

MAXIMUM FILTRATION FLOW RATE / WATER QUALITY

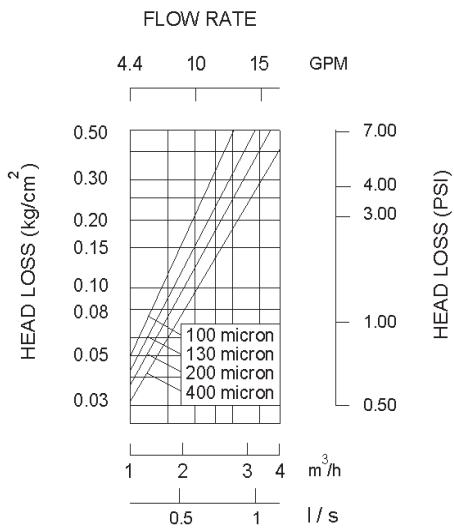
FILTRATION GRADE	WATER QUALITY	M ³ /H	GPM
400-130 μ	Good	4	18
	Average	3	13.5

DIMENSIONS AND WEIGHTS

D Inlet/Outlet diameter	mm	20	inch	3/4
L Length	mm	210	inch	8 1/4
W Width	mm	74	inch	2 29/32
A	mm	155	inch	6 3/32
Shipping weight (approx.)	kg	0.420	lbs	0.9



HEAD LOSS CHART, CLEAN STATE



3/4" Filtrap is available in: Polyester.



1" SHORT

MANUAL DISC FILTER

MANUAL FILTERS

FEATURES

- Precise disc filtration
- Durable filter element
- All plastic-corrosion free

TECHNICAL DATA

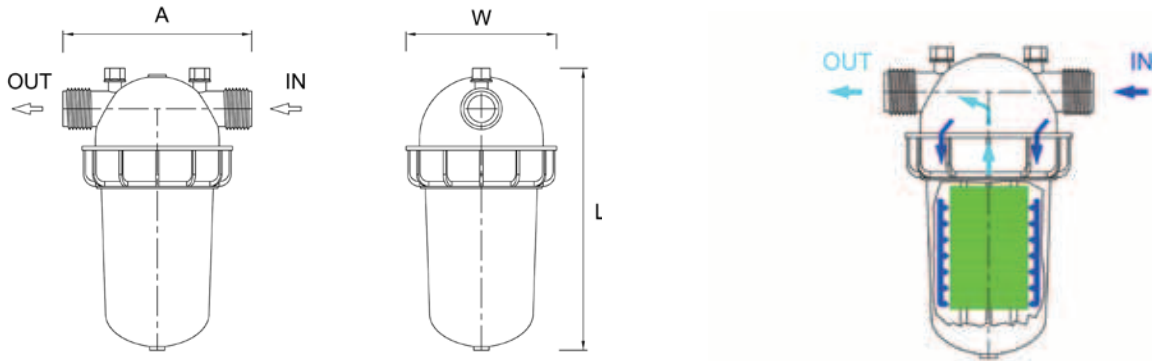
	METRIC		US	
Connection diameter	mm	25	in	1
Filtration surface area	cm ²	308	in ²	48
Filtration volume	cm ³	370	in ³	22
Pressure rating	bar	10	psi	145
Max. temp.	0C	70	0F	158

MAXIMUM FILTRATION FLOW RATE / WATER QUALITY

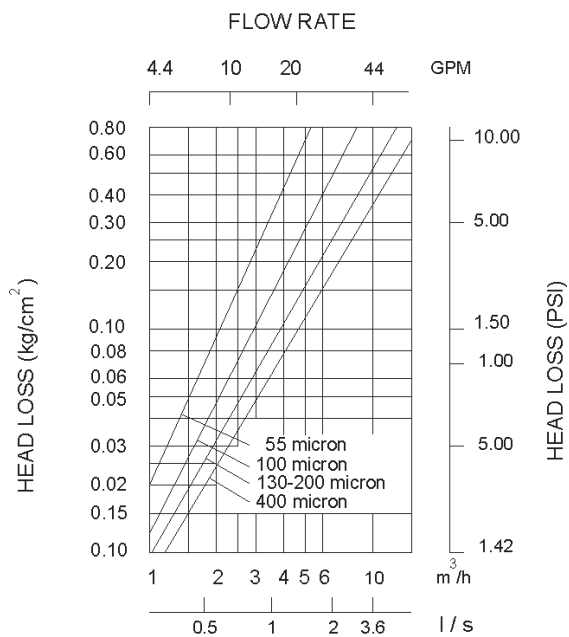
FILTRATION GRADE	WATER QUALITY	M ³ /H	GPM
400-130 μ	Good	6	26.5
	Average	4.5	20
55 μ	Good	4.2	18.5
	Average	3.15	14

DIMENSIONS AND WEIGHTS

D Inlet/Outlet diameter	mm	25	inch	1
L Length	mm	233	inch	9 ³ / ₁₆
W Width	mm	130	inch	5 ³ / ₃₂
A	mm	158	inch	6 ⁷ / ₃₂
Shipping weight (approx.)	kg	1.1	lbs	2.4



HEAD LOSS CHART, CLEAN STATE



1" Short is available in:
Polyamide or Polypropylene.

1" SUPER

MANUAL DISC FILTER



MANUAL FILTERS

FEATURES

- Precise disc filtration
- Durable filter element
- All plastic-corrosion free

TECHNICAL DATA

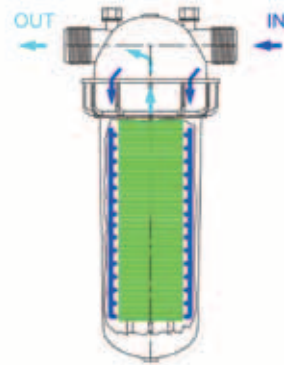
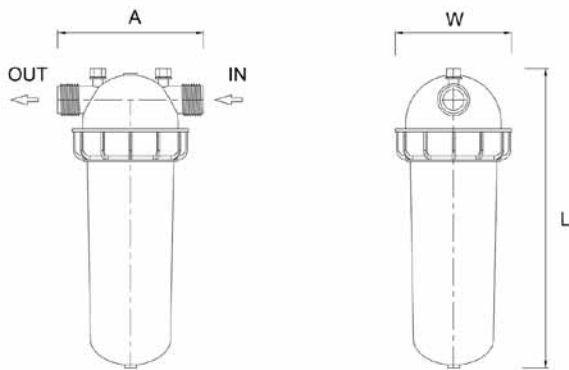
	METRIC		US	
Connection diameter	mm	25	in	1
Filtration surface area	cm ²	501.2	in ²	77.78
Filtration volume	cm ³	592	in ³	36.1
Pressure rating	bar	10	psi	145
Max. temp.	°C	70	°F	158

MAXIMUM FILTRATION FLOW RATE / WATER QUALITY

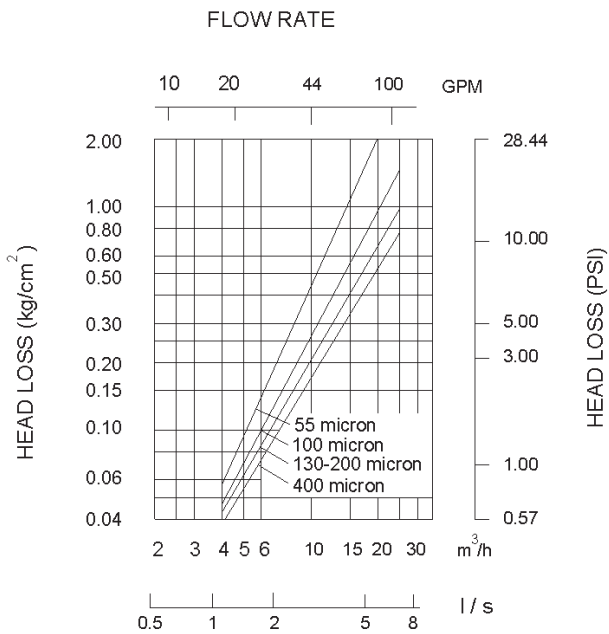
FILTRATION GRADE	WATER QUALITY	M ³ /H	GPM
400-130 μ	Good	8	35
	Average	6	26.5
55 μ	Good	5.6	25
	Average	4.2	18.5

DIMENSIONS AND WEIGHTS

D Inlet/Outlet diameter	mm	25	inch	1
L Length	mm	340	inch	13 13/32
W Width	mm	130	inch	5 3/32
A	mm	158	inch	6 7/32
Shipping weight (approx.)	kg	1.42	lbs	3.13



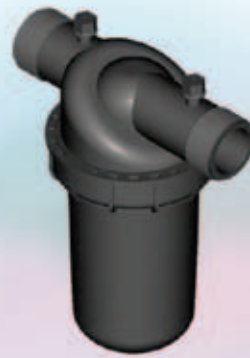
HEAD LOSS CHART, CLEAN STATE



1" Super is available in:
Polyamide or Polypropylene.

1 1/2" SHORT

MANUAL DISC FILTER



MANUAL FILTERS

FEATURES

- Precise disc filtration
- Durable filter element
- All plastic-corrosion free

TECHNICAL DATA

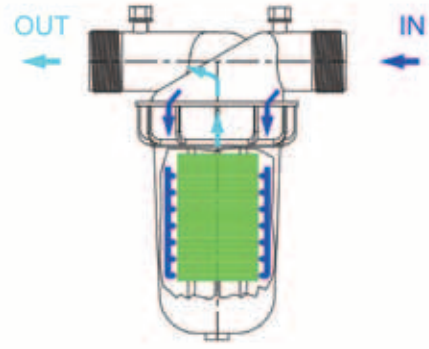
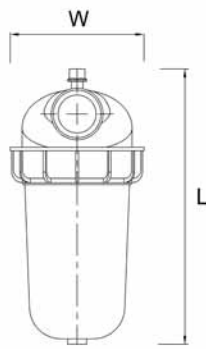
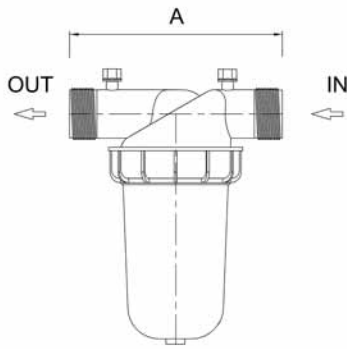
	METRIC		US	
Connection diameter	mm	40	in	1 1/2"
Filtration surface area	cm ²	308	in ²	48
Filtration volume	cm ³	370	in ³	23
Pressure rating	bar	10	psi	145
Max. temp.	°C	70	°F	158

MAXIMUM FILTRATION FLOW RATE / WATER QUALITY

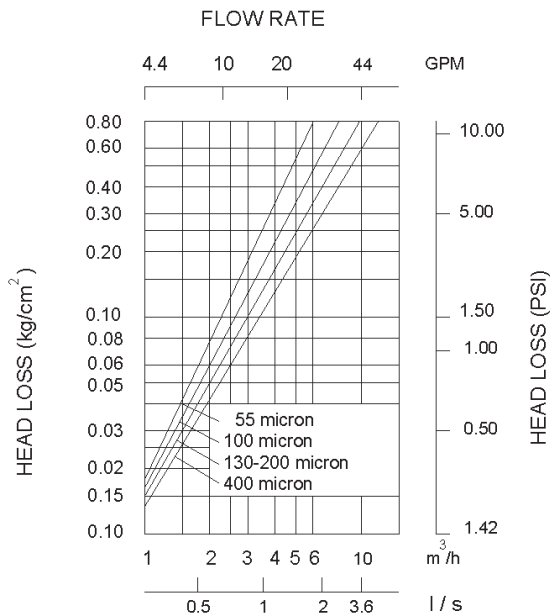
FILTRATION GRADE	WATER QUALITY	M ³ /H	GPM
400-130 μ	Good	8	35
	Average	6	26.5
55 μ	Good	5.6	25
	Average	4.2	18.5

DIMENSIONS AND WEIGHTS

D Inlet/Outlet diameter	mm	40	inch	1 1/2
L Length	mm	250	inch	9 27/32
W Width	mm	130	inch	5 3/32
A	mm	200	inch	7 7/8
Shipping weight (approx.)	kg	1.3	lbs	2.9



HEAD LOSS CHART, CLEAN STATE



1 1/2" Short is available in:
Polyamide or Polypropylene.

1 1/2" SUPER

MANUAL DISC FILTER



MANUAL FILTERS

FEATURES

- Precise disc filtration
- Durable filter element
- All plastic-corrosion free

TECHNICAL DATA

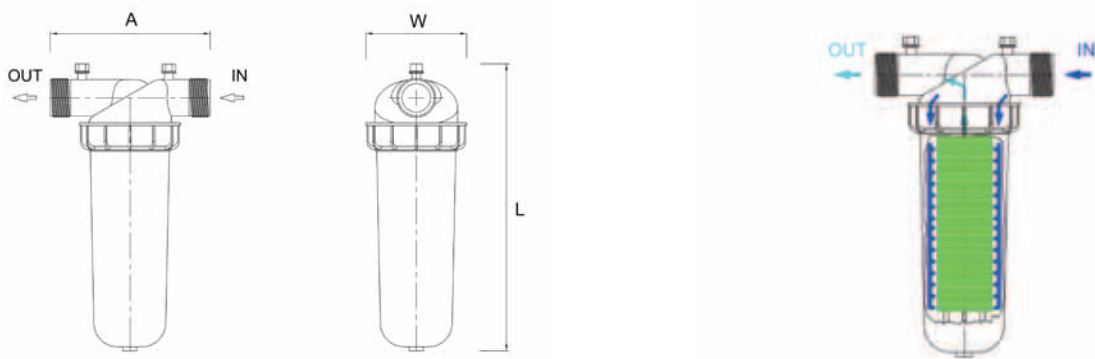
	METRIC		US	
Connection diameter	mm	40	in	1 1/2
Filtration surface area	cm ²	501.8	in ²	77.78
Filtration volume	cm ³	592	in ³	36 3/32
Pressure rating	bar	10	psi	145
Max. temp.	°C	70	°F	158

MAXIMUM FILTRATION FLOW RATE / WATER QUALITY

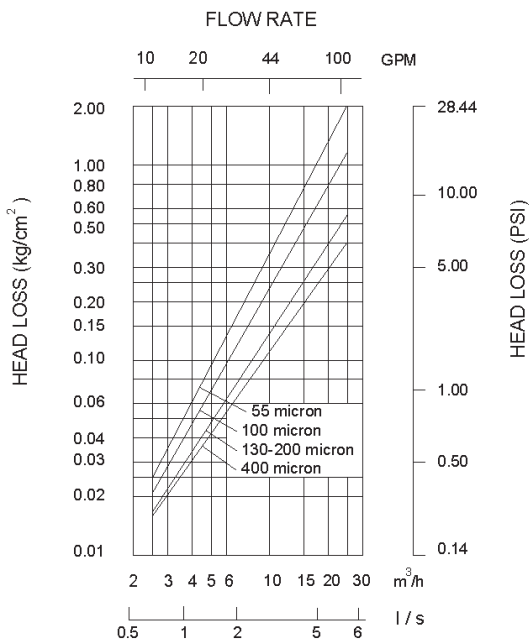
FILTRATION GRADE	WATER QUALITY	M ³ /H	GPM
400-130 μ	Good	12	53
	Average	9	40
55 μ	Good	8.4	37
	Average	6.3	28

DIMENSIONS AND WEIGHTS

D Inlet/Outlet diameter	mm	40	inch	1 1/2
L Length	mm	350	inch	13 25/32
W Width	mm	130	inch	5 3/32
A	mm	200	inch	7 7/8
Shipping weight (approx.)	kg	1.51	lbs	3.32



HEAD LOSS CHART, CLEAN STATE



1½" Super is available in:
Polyamide or Polypropylene.

2" DUAL

MANUAL DISC FILTER



MANUAL FILTERS

FEATURES

- Precise disc filtration
- High flow capacity
- Durable filter element
- All plastic-corrosion free

TECHNICAL DATA

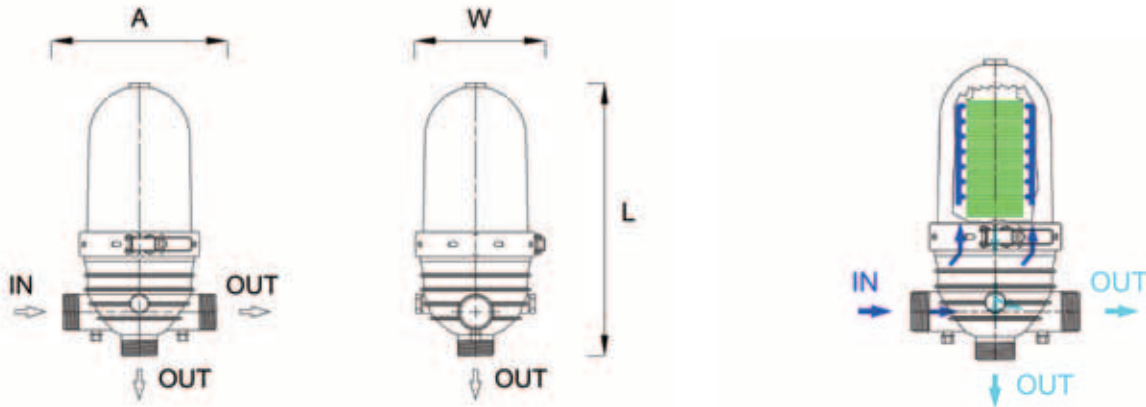
	METRIC		US	
Connection diameter	mm	50	in	2
Filtration surface area	cm ²	950	in ²	148
Filtration volume	cm ³	1,225	in ³	75
Pressure rating	bar	12	psi	168
Max. temp.	°C	70	°F	158

MAXIMUM FILTRATION FLOW RATE / WATER QUALITY

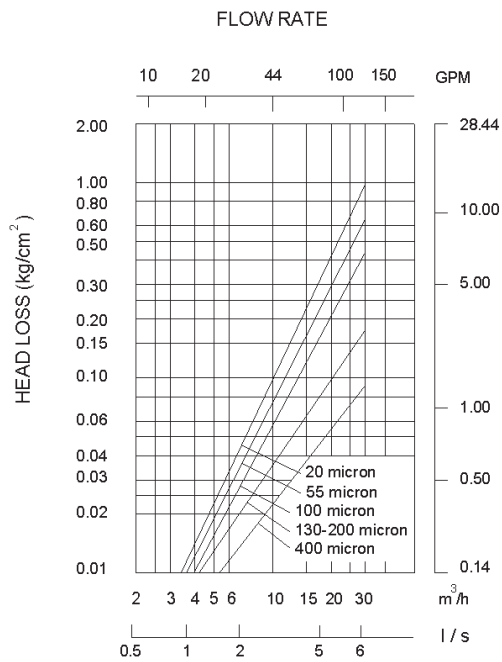
FILTRATION GRADE	WATER QUALITY	M ³ /H	GPM
400-130 μ	Good	25	110
	Average	18.75	82.5
55 μ	Good	17.5	77
	Average	13.1	58
20 μ	Good	12.5	55
	Average	9.37	41

DIMENSIONS AND WEIGHTS

D Inlet\Outlet diameter	mm	50	inch	2
L Length	mm	465	inch	18 5/16
W Width	mm	200	inch	7 7/8
A	mm	260	inch	10 1/4
Shipping weight (approx.)	kg	5	lbs	11



HEAD LOSS CHART, CLEAN STATE



2" Dual is available in:
Polyamide or Polysulfon.

2" SUPER

MANUAL DISC FILTER



MANUAL FILTERS

FEATURES

- Precise disc filtration
- High flow capacity
- Durable filter element
- All plastic-corrosion free

TECHNICAL DATA

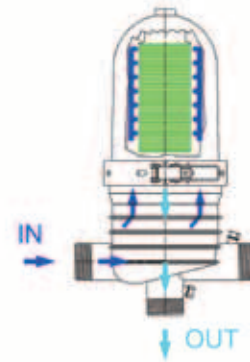
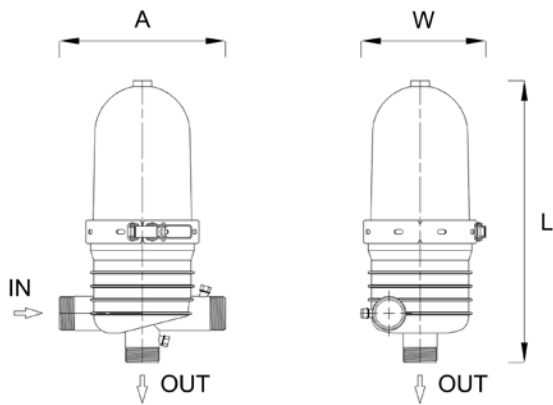
	METRIC		US	
Connection diameter	mm	50	in	2
Filtration surface area	cm ²	950	in ²	148
Filtration volume	cm ³	1,225	in ³	75
Pressure rating	bar	10	psi	145
Max. temp.	°C	70	°F	158

MAXIMUM FILTRATION FLOW RATE / WATER QUALITY

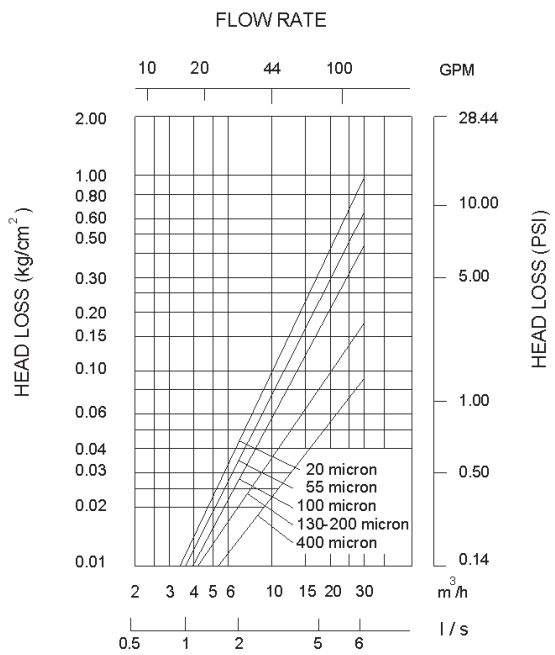
FILTRATION GRADE	WATER QUALITY	M ³ /H	GPM
400-130 μ	Good	25	110
	Average	18.75	82.5
55 μ	Good	17.5	77
	Average	13.1	58
20 μ	Good	12.5	55
	Average	9.37	41

DIMENSIONS AND WEIGHTS

D Inlet/Outlet diameter	mm	50	inch	2
L Length	mm	495	inch	19 1/2
W Width	mm	200	inch	7 7/8
A	mm	260	inch	11 13/32
Shipping weight (approx.)	kg	6	lbs	13.2



HEAD LOSS CHART, CLEAN STATE



2" Super is available in:
Polyamide.

2" LEADER

MANUAL DISC FILTER



MANUAL FILTERS

FEATURES

- Durable filter element
- Corrosion free
- All Polypropylene
- Precise disc filtration

TECHNICAL DATA

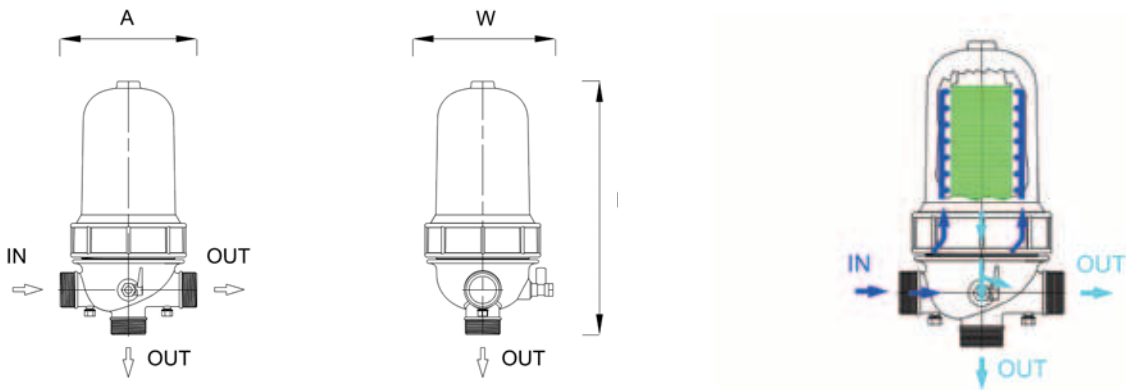
	METRIC		US	
Connection diameter	mm	50	in	2
Filtration surface area	cm ²	950	in ²	148
Filtration volume	cm ³	1,225	in ³	75
Pressure rating	bar	10	psi	145
Max. temp.	°C	70	°F	158

MAXIMUM FILTRATION FLOW RATE / WATER QUALITY

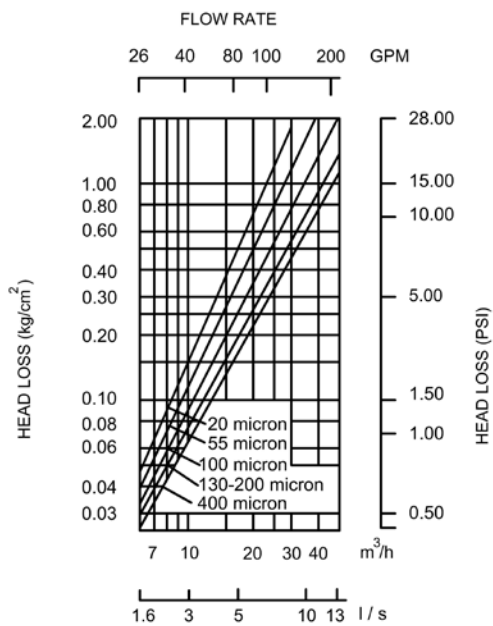
FILTRATION GRADE	WATER QUALITY	M ³ /H	GPM
400-130 μ	Good	30	132
	Average	21	92
55 μ	Good	16	70.4
	Average	11	48.5
20 μ	Good	8	35.2
	Average	5	22

DIMENSIONS AND WEIGHTS

D Inlet/Outlet diameter	mm	50	inch	2
L Length	mm	425	inch	16 ²³ / ₃₂
W Width	mm	215	inch	8 ¹⁴ / ₃₂
A	mm	230	inch	9 ¹ / ₁₆
Shipping weight (approx.)	kg	3.2	lbs	7



HEAD LOSS CHART, CLEAN STATE



2" Leader is available in:
Polypropylene.

3" TWIN

MANUAL DISC FILTER



MANUAL FILTERS

FEATURES

- Precise disc filtration
- High flow capacity
- Durable filter element
- All plastic-corrosion free

TECHNICAL DATA

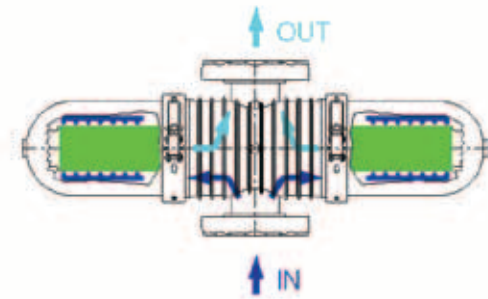
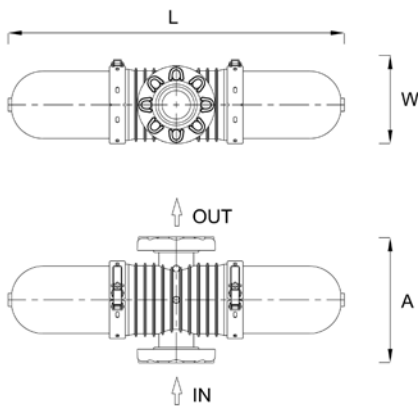
	METRIC		US	
Connection diameter	mm	80	in	3
Filtration surface area	cm ²	1,900	in ²	294
Filtration volume	cm ³	2,450	in ³	150
Pressure rating	bar	10	psi	145
Max. temp.	°C	70	°F	158

MAXIMUM FILTRATION FLOW RATE / WATER QUALITY

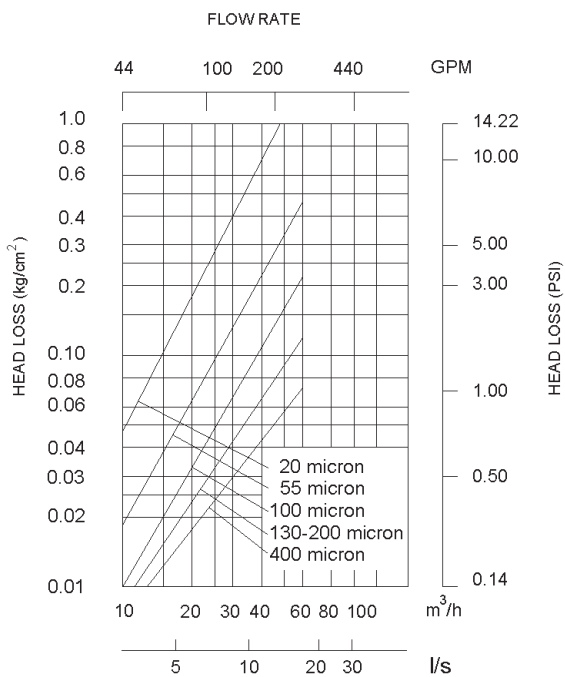
FILTRATION GRADE	WATER QUALITY	M ³ /H	GPM
400-130 μ	Good	40	176
	Average	30	132
55 μ	Good	28	123
	Average	21	92.5
20 μ	Good	20	88
	Average	15	66

DIMENSIONS AND WEIGHTS

D Inlet/Outlet diameter	mm	90	inch	3
L Length	mm	865	inch	34 1/16
W Width	mm	217	inch	8 9/16
A	mm	320	inch	12 19/32
Shipping weight (approx.)	kg	9.85	lbs	21.7



HEAD LOSS CHART, CLEAN STATE



3" Twin is available in:
Polyamide.

3" LEADER

MANUAL DISC FILTER



MANUAL FILTERS

FEATURES

- Durable filter element
- Corrosion free
- All Polypropylene
- Precise disc filtration

TECHNICAL DATA

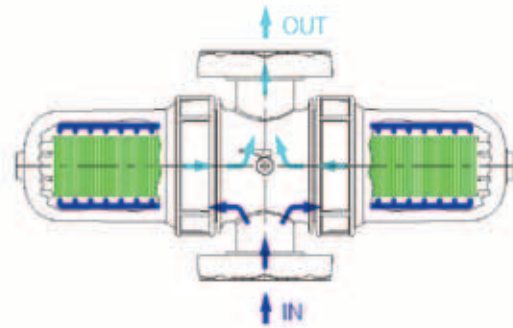
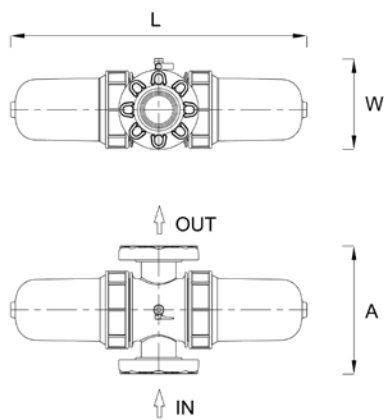
	METRIC		US	
	mm		in	
Connection diameter	mm	90	in	3
Filtration surface area	cm ²	1,900	in ²	294
Filtration volume	cm ³	2,450	in ³	150
Pressure rating	bar	10	psi	145
Max. temp.	°C	70	°F	158

MAXIMUM FILTRATION FLOW RATE / WATER QUALITY

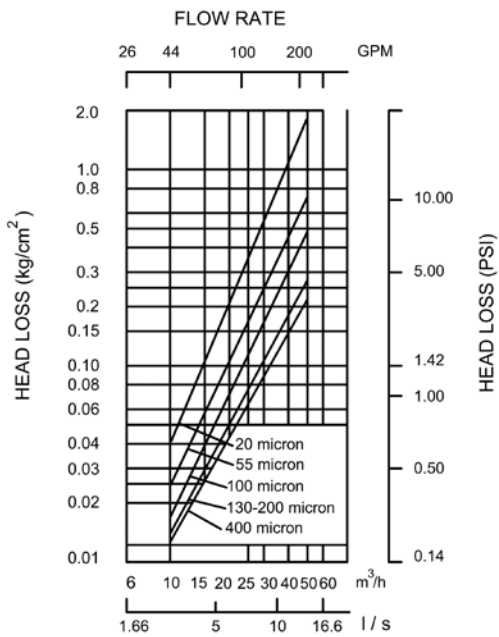
FILTRATION GRADE	WATER QUALITY	M ³ /H	GPM
400-130 μ	Good	50	220
	Average	35	154
55 μ	Good	32	141
	Average	22	97
20 μ	Good	16	70
	Average	11	48.4

DIMENSIONS AND WEIGHTS

D Inlet\Outlet diameter	mm	90	inch	3
L Length	mm	742	inch	29 7/32
W Width	mm	228	inch	8 3/32
A	mm	320	inch	12 19/32
Shipping weight (approx.)	kg	6.3	lbs	13.9



HEAD LOSS CHART, CLEAN STATE



3" Leader Filter is available in:
Polypropylene.

3" SUPER ANGLE

MANUAL DISC FILTER



MANUAL FILTERS

FEATURES

- High flow capacity
- Durable filter element
- Corrosion free
- All Plastic
- Precise disc filtration

TECHNICAL DATA

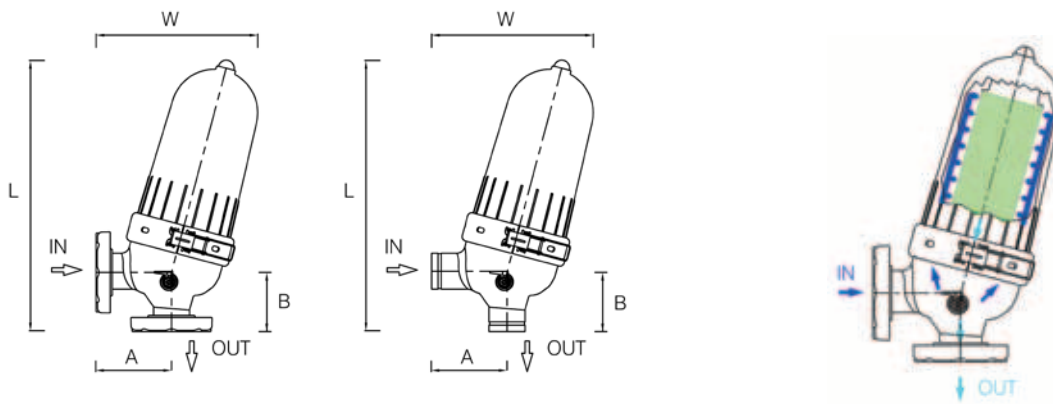
	METRIC		US	
Connection diameter	mm	90	in	3
Filtration surface area	cm ²	1,852	in ²	287
Filtration volume	cm ³	1,774	in ³	108
Pressure rating	bar	10	psi	145
Max. temp.	°C	70	°F	158

MAXIMUM FILTRATION FLOW RATE / WATER QUALITY

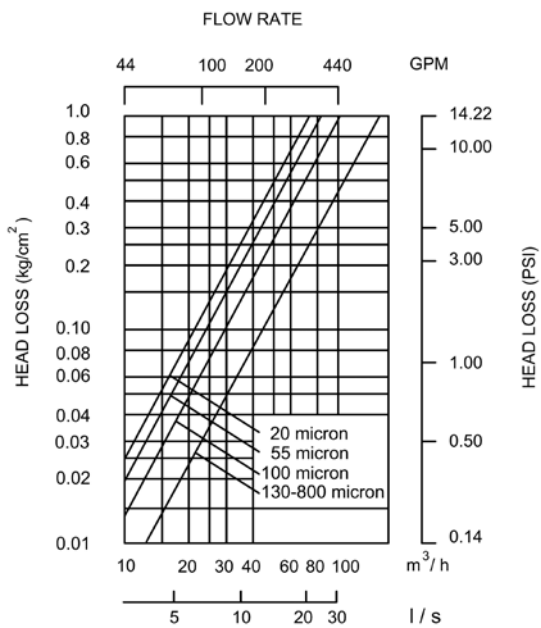
FILTRATION GRADE	WATER QUALITY	M3/H	GPM
400-130 µ	Good	60	264
	Average	50	220
100 µ	Good	50	220
	Average	40	176
55 µ	Good	35	154
	Average	24	106
20 µ	Good	18	79
	Average	12	53

DIMENSIONS AND WEIGHTS

D Inlet/Outlet diameter	mm	90	inch	3
L Length	mm	700	inch	27 9/16
W Width	mm	400	inch	15 3/4
A	mm	185	inch	7 9/32
B	mm	145	inch	5 23/32
Shipping weight (approx.)	kg	11.47	lbs	25.3



HEAD LOSS CHART, CLEAN STATE



3" Super Angle Filter is available in:
Polypropylene.

4" SUPER ANGLE

MANUAL DISC FILTER



MANUAL FILTERS

FEATURES

- High flow capacity
- Durable filter element
- Corrosion free
- All Plastic
- Precise disc filtration

TECHNICAL DATA

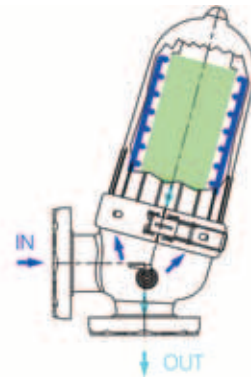
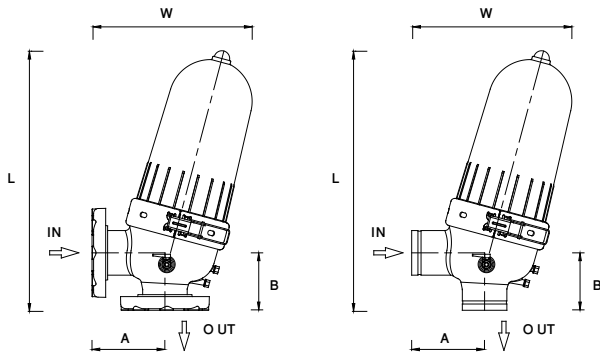
	METRIC		US	
Connection diameter	mm	110	in	4
Filtration surface area	cm ²	1,852	in ²	287
Filtration volume	cm ³	1,774	in ³	108
Pressure rating	bar	10	psi	145
Max. temp.	°C	70	°F	158

MAXIMUM FILTRATION FLOW RATE / WATER QUALITY

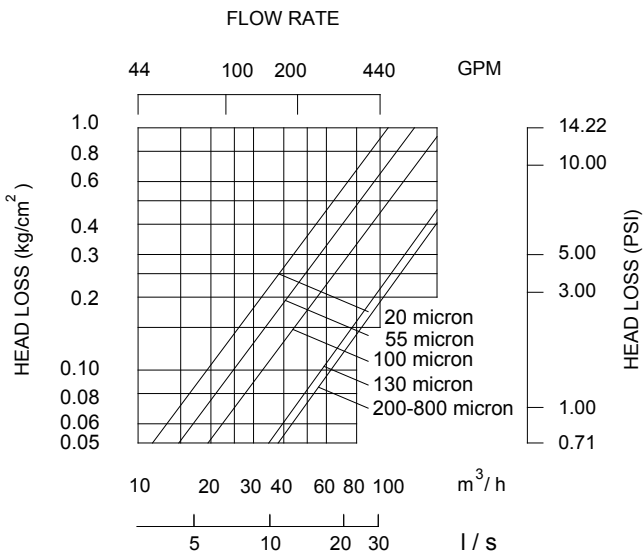
FILTRATION GRADE	WATER QUALITY	M ³ /H	GPM
400-130 μ	Good	90	396
	Average	60	264
100 μ	Good	50	220
	Average	40	176
55 μ	Good	35	154
	Average	24	106
20 μ	Good	18	79
	Average	12	53

DIMENSIONS AND WEIGHTS

D Inlet/Outlet diameter	mm	110	inch	4
L Length	mm	700	inch	27 9/16
W Width	mm	400	inch	15 3/4
A	mm	185	inch	7 9/32
B	mm	145	inch	5 23/32
Shipping weight (approx.)	kg	13.16	lbs	29



HEAD LOSS CHART, CLEAN STATE



4" SuperAngle Filter is available in:
Polypropylene.

4" SUPER LEADER

MANUAL DISC FILTER



MANUAL FILTERS

FEATURES

- High flow capacity
- Durable filter element
- Corrosion free
- All Polypropylene
- Precise disc filtration

TECHNICAL DATA

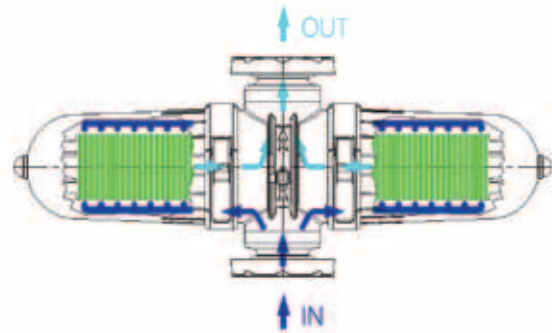
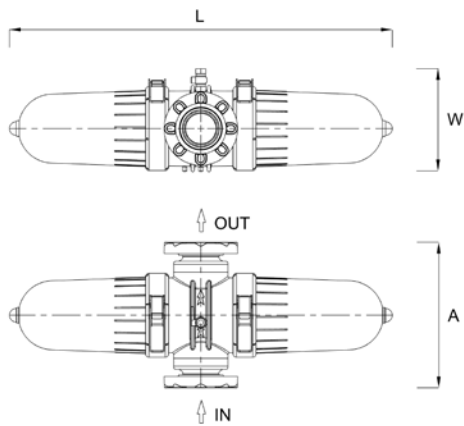
	METRIC		US	
Connection diameter	mm	110	in	4
Filtration surface area	cm ²	3,704	in ²	576
Filtration volume	cm ³	3,548	in ³	216
Pressure rating	bar	10	psi	145
Max. temp.	°C	70	°F	158

MAXIMUM FILTRATION FLOW RATE / WATER QUALITY

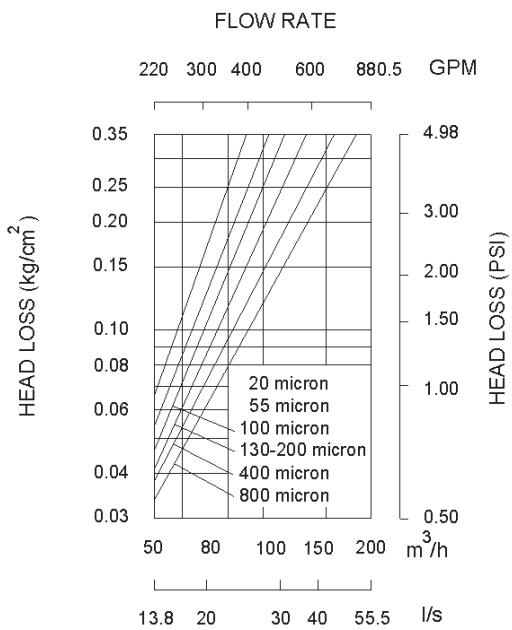
FILTRATION GRADE	WATER QUALITY	M3/H	GPM
400-130 µ	Good	110	484
	Average	77	339
55 µ	Good	60	264
	Average	42	185
20 µ	Good	38	167
	Average	26	114

DIMENSIONS AND WEIGHTS

D Inlet/Outlet diameter	mm	110	inch	4
L Length	mm	1188	inch	46 ²⁵ / ₃₂
W Width	mm	319	inch	12 ⁹ / ₁₆
A	mm	445	inch	17 ¹ / ₂
Shipping weight (approx.)	kg	28.8	lbs	63.5



HEAD LOSS CHART, CLEAN STATE



4" Super Leader Filter is available in:
Polypropylene.

6" SUPER LEADER

MANUAL DISC FILTER



MANUAL FILTERS

FEATURES

- High flow capacity
- Durable filter element
- Corrosion free
- All Polypropylene
- Precise disc filtration

TECHNICAL DATA

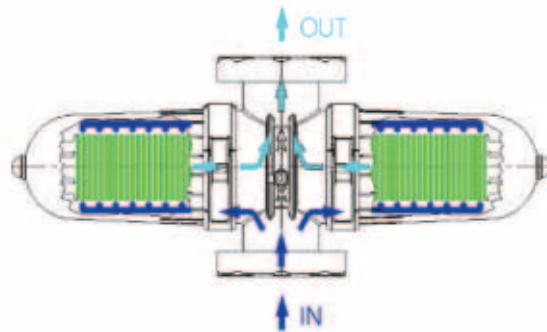
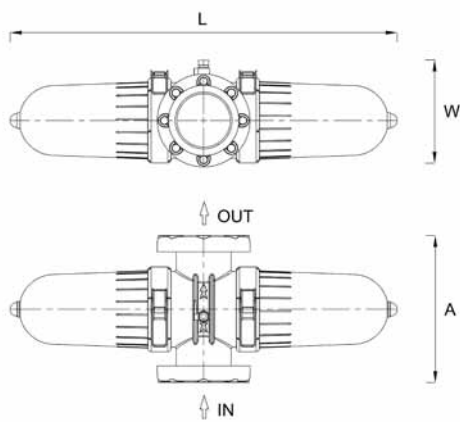
	METRIC		US	
Connection diameter	mm	160	in	6
Filtration surface area	cm ²	3,704	in ²	574
Filtration volume	cm ³	3,548	in ³	216
Pressure rating	bar	10	psi	145
Max. temp.	°C	70	°F	158

MAXIMUM FILTRATION FLOW RATE / WATER QUALITY

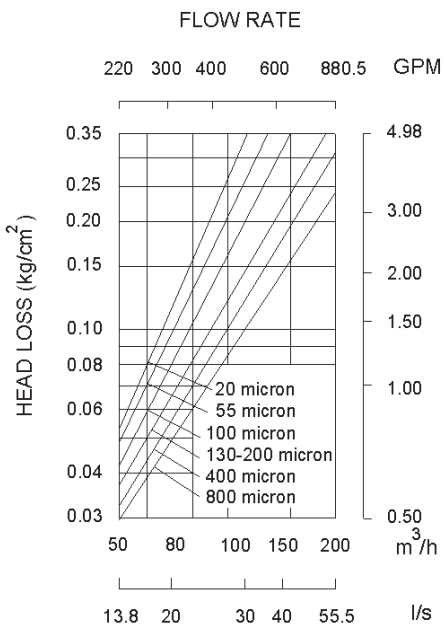
FILTRATION GRADE	WATER QUALITY	M ³ /H	GPM
400-130 μ	Good	140	616
	Average	98	431
55 μ	Good	70	308
	Average	49	216
20 μ	Good	42	185
	Average	29	128

DIMENSIONS AND WEIGHTS

D Inlet/Outlet diameter	mm	160	inch	6
L Length	mm	1188	inch	46 7/32
W Width	mm	319	inch	12 9/16
A	mm	415	inch	16 11/32
Shipping weight (approx.)	kg	30.4	lbs	67



HEAD LOSS CHART, CLEAN STATE



6" Super Leader Filter is available in:
Polypropylene.

HYDROCYCLONE

SAND SEPARATOR TECHNOLOGY

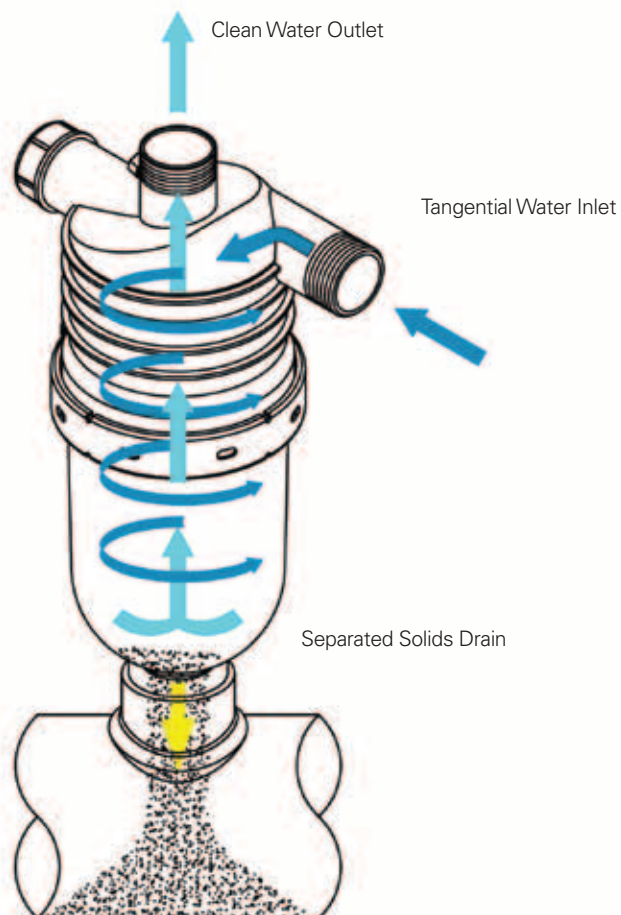


THE SEPARATION PROCESS

- The water stream enters the cyclone at a relatively high velocity via the inlet pipe, which is positioned, tangentially to the body of the cyclone.
- The shape of the cone creates a vortex of water.
- The resulting centrifugal force pushes the sand and other solids of a high specific gravity, out of the main flow stream.
- The low flow speed, next to the cyclone walls, cannot carry the heavy particles and allows them to drop by gravity to the collecting tank below, while the clean water rises up in a spiral motion to the outlet port.
- Evacuation of the dirt collected by the chamber is achieved by opening a control valve, normally activated by a controller usually triggered by time or set volume.

- Hydrocyclones operate effectively and efficiently under a set flow rate. Constancy of flow rate and adaptability of design enhance efficiency further.
- When flushed regularly, cyclones require minimal maintenance.
- The Hydro-cyclone is a function specific product, designed for the removal of sand and therefore comprising an invaluable element in any total filtration system where sand is an issue.
- Although the Hydrocyclone will remove / separate any particles with a higher specific gravity (SG) than water (1g/cm^3 or 8.345 lb/ft^3), maximum benefits are gained with an optimal SG ratio of 1.4:1, where the sand SG is 40% greater than the water SG (i.e. 1.4g/cm^3 or 11.683 lb/ft^3).

Centrifugal Force Separates The Solids From The Water



2" SAND SEPARATOR

HYDRO-CYCLONE



FEATURES

- High efficiency sand separation
- Long-term self-operated
- Minimal maintenance
- Corrosion free

TECHNICAL DATA

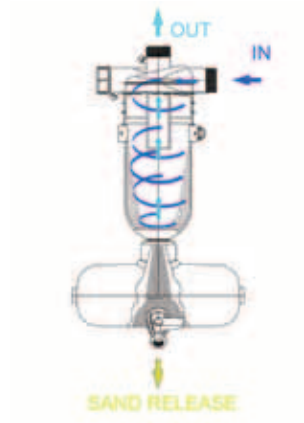
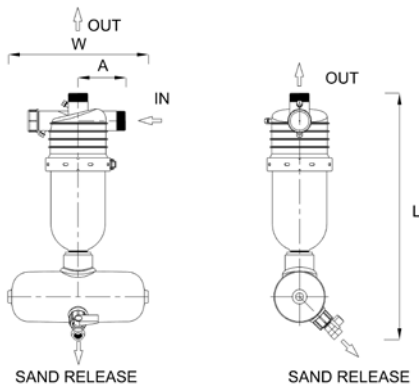
	METRIC		US	
	mm		inch	
Connection diameter	50		2	
Maximum Pressure	10		145	
Maximum temp.	70		149	

MAXIMUM FILTRATION FLOW RATE / WATER QUALITY

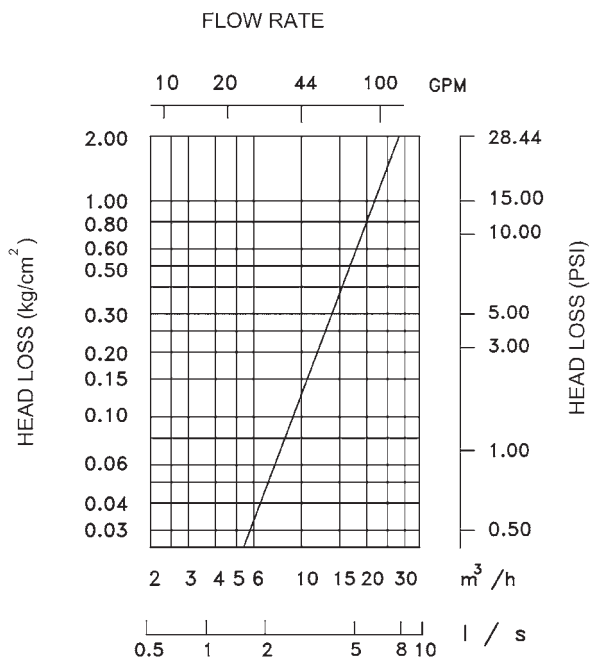
% Efficiency	PARTICLE SIZE LARGER THAN (MICRON):			M3/H	GPM
	150	100	50		
	90	85	82	15	66
	95	90	85	20	88
	98	95	90	25	110

DIMENSIONS AND WEIGHTS

D-Inlet\Outlet diameter	mm	50	inch	2
L- Length	mm	755	inch	29 ²³ / ₃₂
W	mm	430	inch	16 ¹⁵ / ₁₆
A	mm	145	inch	5 ²³ / ₃₂
Approximate shipping weight	kg	7.8	lbs	17.2



HEAD LOSS CHART, CLEAN STATE



2" Sand Separator can be supplied in:
Polyamide

SAND SEPARATOR BATTERIES

HYDRO-CYCLONE BATTERIES



FEATURES

- High efficiency sand separation
- Long-term self-operated
- Minimal maintenance
- Corrosion free

TECHNICAL DATA

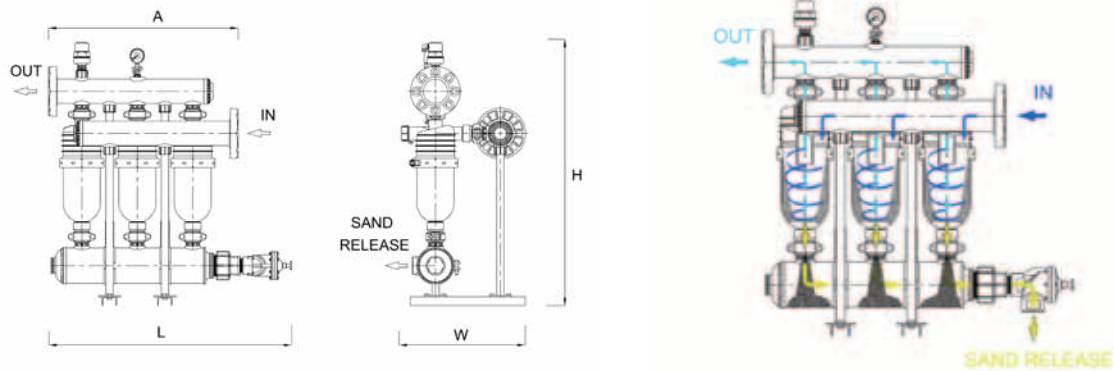
MODEL		HYD-2	HYD-3	HYD-4	HYD-5		HYD-2	HYD-3	HYD-4	HYD-5
		METRIC					US			
Connection diameter	mm	110	110	160	160	inch	4	4	6	6
Maximum Pressure	bar	10				psi	145			
Maximum temp.	° C	70				° F	149			

MAXIMUM FILTRATION FLOW RATE / WATER QUALITY

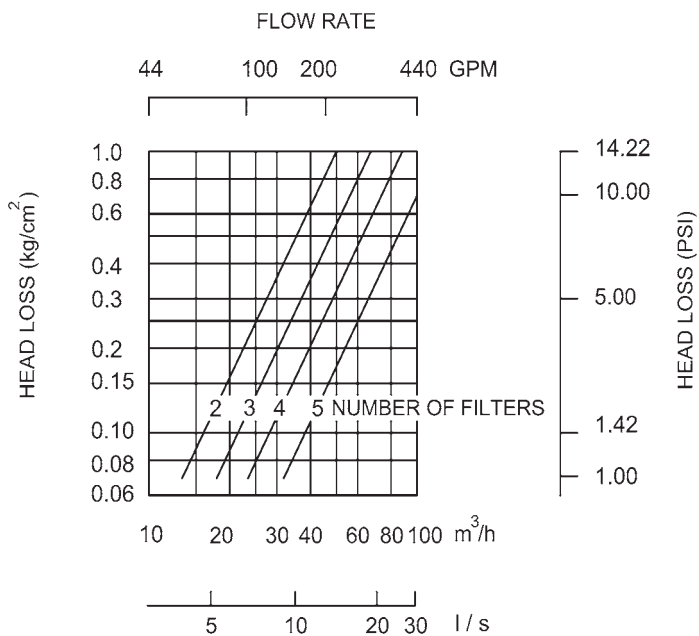
MODEL		HYD-2	HYD-3	HYD-4	HYD-5	HYD-2	HYD-3	HYD-4	HYD-5		
% Efficiency	PARTICLE SIZE LARGER THAN (MICRON):			M3/H				GPM			
	150	100	50								
	90	85	82	30	45	60	75	132	198	264	330
95	90	85	40	60	80	100	176	264	352	440	
98	95	90	50	75	100	125	220	330	440	550	

DIMENSIONS AND WEIGHTS

MODEL		HYD-2	HYD-3	HYD-4	HYD-5		HYD-2	HYD-3	HYD-4	HYD-5
D-Inlet/Outlet diameter	mm	110	110	160	160	inch	4	4	6	6
L - Length	mm	829	1079	1160	1410	inch	33	42	46	56
H	mm	1198	1198	1200	1200	inch	47	47	47	47
A	mm	605	855	1105	1355	inch	24	34	44	53
W	mm	564	564	778	778	inch	22	22	31	31
Approximate shipping weight	kg	52	78	118	146	lbs	115	172	260	322



HEAD LOSS CHART, CLEAN STATE



2" Sand Separator Batteries can be supplied in:
Polyamide and Polypropylene manifolds

SAND MEDIA TECHNOLOGY

AGF FILTER - THE PRINCIPLE



- Sand Media filters operate by separating the suspended materials in unfiltered water as it flows through a bed of media in a pressurized tank.
- The recommended filter medias - crushed basalt, quartz sand or catalytic media, have many varying aperture sizes that cause the water to flow through a maze of passages on its way from the inlet to the outlet of the filter.

SAND MEDIA TECHNOLOGY

Due to the large volume and contact area between the water and the media/gravel particles, various physical forces are put into effect and act to retain the contaminating particles.

The efficiency of large particle retention is high as long as the gravel is kept clean.

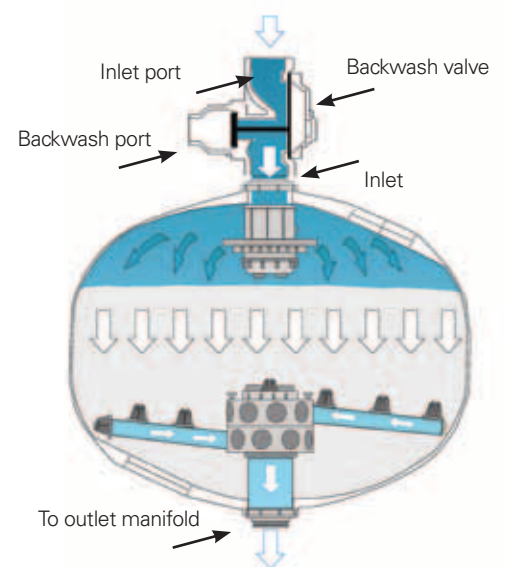
The catalytic media type applies an additional chemical-physical attraction between the media and particles - especially those of organic nature, giving more efficient organic material separation. In addition, the round shaped particles degrade more quickly and their cleaning requires less water in comparison with other media types.

FILTRATION PROCESS

During the filtration process, unfiltered water enters the media filter system via the inlet manifold. It is cleaned by flowing through the media and discharged via the outlet manifold.

During filtration the inlet ports are open and the backwash ports are closed.

Water flows from the top, over the diffuser, down through the media layer to the outlet through the "mushrooms" located in the bottom part of the filter.



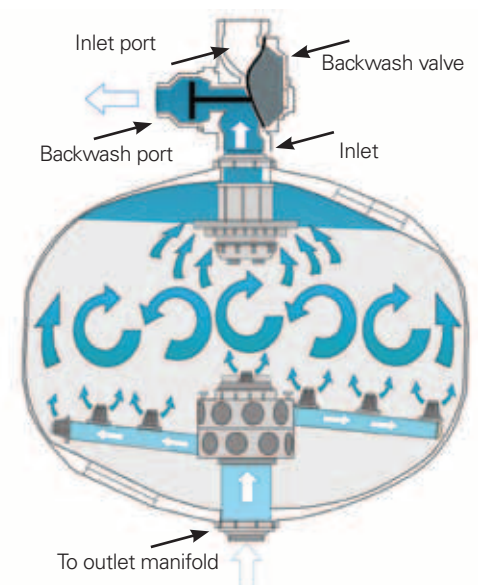
BACKWASH PROCESS

During the backwash process the inlet port closes and the backwash port opens, allowing reverse water flow into the filter.

Clean pressurized water from the other filters now flows into the bottom of the filter, lifting the media and freeing the accumulated dirt and debris that is then flushed out through the backwash valve and into the backwash manifold.

If the backwash restriction valve is adjusted properly, the debris will be flushed out of the filter while the media, being of a higher Bulk Density than the debris will remain fluidized in the filter tank.

Only one filter at a time should backwash. The water that is being used to backwash one filter would have already passed through another filter or filters so that the backwash process is carried out with clean, filtered water.



AGF

ALL PLASTIC MEDIA FILTERS



FEATURES

- Corrosion free
- Special synthetic materials
- Unique under-drain "Mushroom" drainage system
- Two large access ports

TECHNICAL DATA

	METRIC		US	
Connection diameter	mm	114	inch	4
Filtration surface area	m ²	1.16	ft ²	12.48
Minimum backwash pressure	bar	2	psi	28
Maximum pressure	bar	6	psi	85
Backwash flow rate	m ³ /h	40-60	gpm	176-264
Maximum temp.	° C	50	° F	122

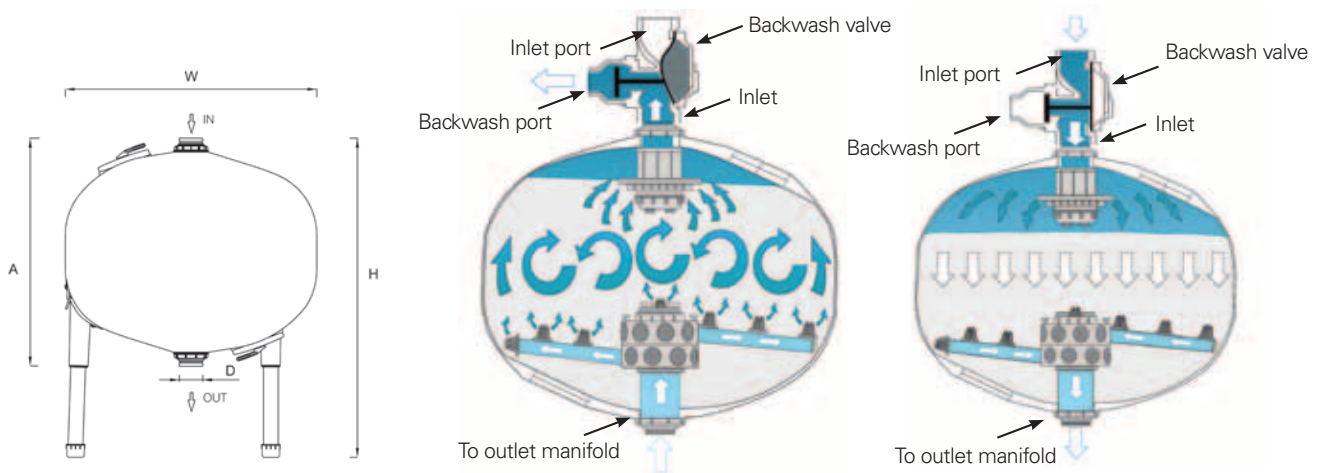
MAXIMUM FILTRATION FLOW RATE / WATER QUALITY

FILTRATION GRADE	WATER QUALITY	M3/H	GPM
Media: Basalt media grade 2			
100-80 μ	Good	68	300
	Average	51	220
	Poor	41	180
	Very Poor	33	145
Media: Quartz media grade 1			
50-20 μ	Good	18	79
	Average	16	70
	Poor	13	57
	Very Poor	10	44
Media: AFM Media gradient for absolute depth filtration. Advantage in high organic load in raw water			
20-10 μ	Good	22	97
	Average	19	79
	Poor	16	70
	Very Poor	13	57

DIMENSIONS AND WEIGHTS

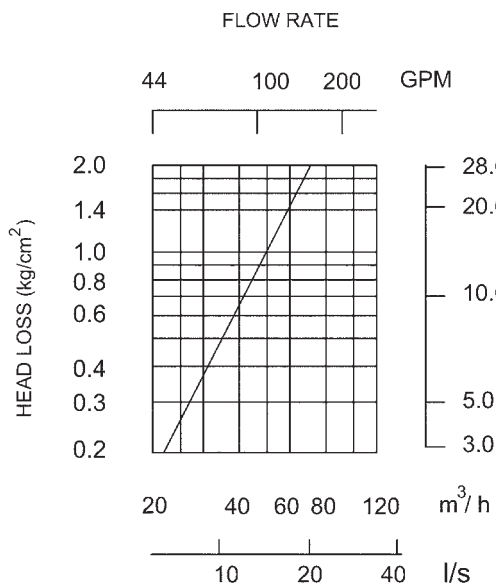
D-Inlet\Outlet diameter	mm	114	inch	4
H (height)	mm	1553	inch	61
A (Dist. between filters connect)	mm	1110	inch	43 ²³ / ₃₂
W	mm	1227	inch	48 ⁵ / ₁₆
Approximate shipping weight*	kg	120	lbs	265

(*) Weight of media not included



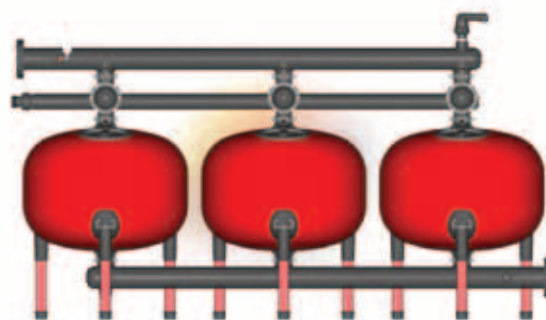
HEAD LOSS CHART, CLEAN STATE

AGF Filters are available in: Polymer materials



AGF BATTERY

ALL PLASTIC MEDIA FILTERS



FEATURES

- Corrosion free
- Special synthetic materials
- Unique under-drain "Mushroom" drainage system

TECHNICAL DATA

MODEL		AGF-48-2	AGF-48-3	AGF-48-4	AGF-48-5	AGF-48-6		AGF-48-2	AGF-48-3	AGF-48-4	AGF-48-5	AGF-48-6
	METRIC						US					
Connection diameter	mm	160	160	225	225	225	inch	6	6	8	8	8
Filtration surface area	m ²	2.32	3.48	4.64	5.80	6.96	ft ²	25.00	37.50	50.00	62.50	75.00
Minimum backwash pressure	bar	2					psi	28				
Maximum pressure	bar	6					psi	85				
Backwash flow rate	m ³ /h	40-60					gpm	176-264				
Maximum temp.	° C	50					° F	122				

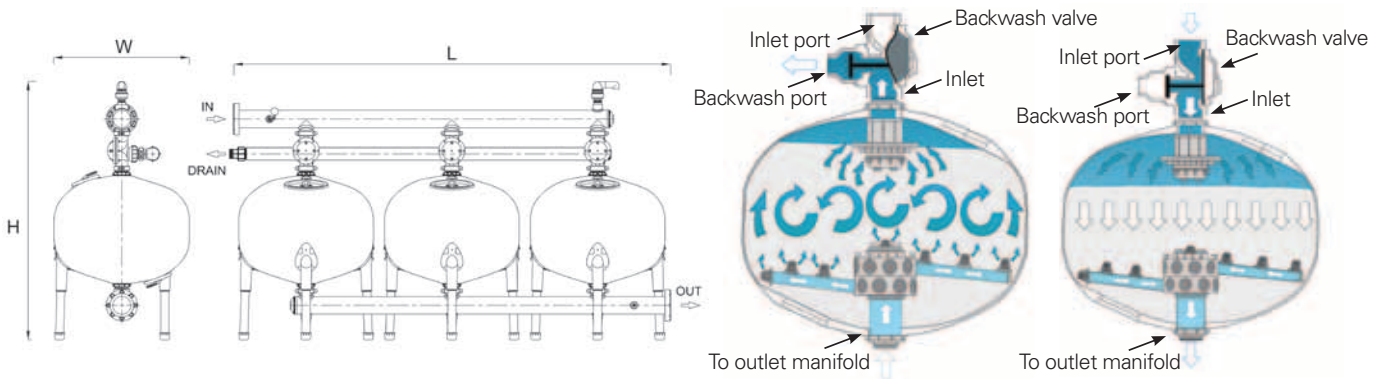
MAXIMUM FILTRATION FLOW RATE / WATER QUALITY

NO. OF UNITS		AGF-48-2	AGF-48-3	AGF-48-4	AGF-48-5	AGF-48-6	AGF-48-2	AGF-48-3	AGF-48-4	AGF-48-5	AGF-48-6
FILTRATION GRADE	WATER QUALITY	M3/H					GPM				
Media: Basalt media grade 2											
100-80 μ	Good	136	204	272	340	408	598	898	1197	1496	1795
	Average	102	153	204	255	306	449	673	898	1122	1346
	Poor	82	122	163	204	245	359	539	718	898	1077
	Very Poor	65	98	131	163	196	287	431	574	718	862
Media: Quartz media grade 1 for nominal depth filtration											
50-20 μ	Good	35	52	70	88	104	154	231	308	385	462
	Average	32	48	64	80	96	141	210	282	350	420
	Poor	26	39	52	65	78	114	171	229	285	342
	Very Poor	20	30	40	50	60	88	132	176	220	264
Media: AFM Media gradient for absolute depth filtration. Advantage in high organic load in raw water											
20-10 μ	Good	44	66	88	110	132	194	291	387	485	582
	Average	38	57	76	95	114	167	250	334	418	501
	Poor	32	48	64	80	96	141	210	282	350	420
	Very Poor	26	39	52	65	78	114	171	229	285	342

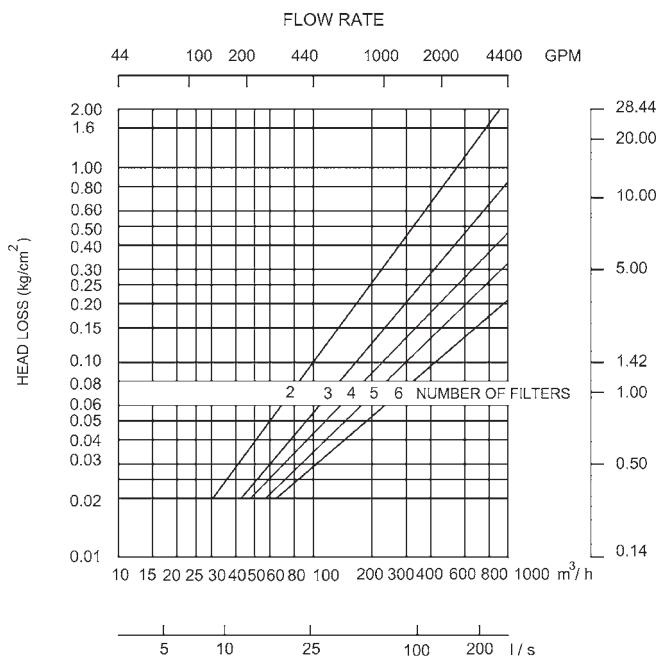
DIMENSIONS AND WEIGHTS

MODEL		AGF-48-2	AGF-48-3	AGF-48-4	AGF-48-5	AGF-48-6		AGF-48-2	AGF-48-3	AGF-48-4	AGF-48-5	AGF-48-6
D (inlet / outlet diameter)	mm	160	160	225	225	225	inch	6	6	8	8	8
H (height)	mm	1991	1991	2017	2017	2017	inch	78	78	79	79	79
A (Dist. between filters connect)	mm	2630	3950	5270	6590	7910	inch	104	155	207	259	311
W	mm	1227	1227	1227	1227	1227	inch	48	48	48	48	48
Approximate shipping weight (*)	kg	240	360	480	600	720	lbs	529	794	1058	1323	1587

(*) Weight of media not included



HEAD LOSS CHART, CLEAN STATE



AGF Filter Batteries are available in:
 Polymer materials and polypropylene
 manifolds